

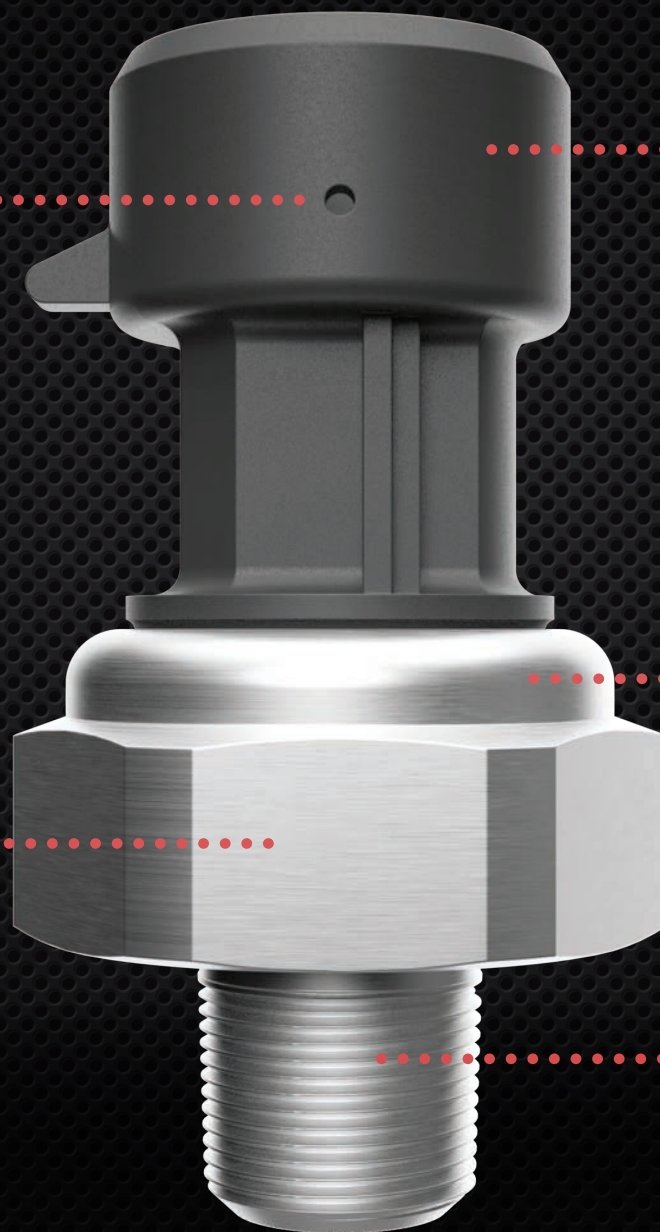


FIT · FORM · FUNCTION · PERFORMANCE

PERFORMANCE RACING SERIES

RUGGED PRESSURE SENSORS FOR THE HARSHTEST AUTOMOTIVE ENVIRONMENTS

Designed and manufactured to OEM standards on OEM production lines using patented technology and the finest materials.



Atmospheric Reference Vent with Waterproof / Dust-Proof Membrane

Standard 3-pin APTIV (Packard) Electrical Interface in High-Grade Thermoplastic

Rugged Stainless Steel Pressure-port

Industry Leading Accuracy Delivered by Patented Trensor® Technology

Standard 22MM HEX 1/8-27 NPT Male Thread Mechanical Interface



AVAILABLE IN THESE PRESSURE RANGES:

0-75 PSI P/N 106P110	0-250 PSI P/N 106P114
0-100 PSI P/N 106P111	0-300 PSI P/N 106P115
0-150 PSI P/N 106P112	0-500 PSI P/N 106P116
0-200 PSI P/N 106P113	+ MORE COMING SOON

FOR FAST, ACCURATE PRESSURE MEASUREMENTS OF:

