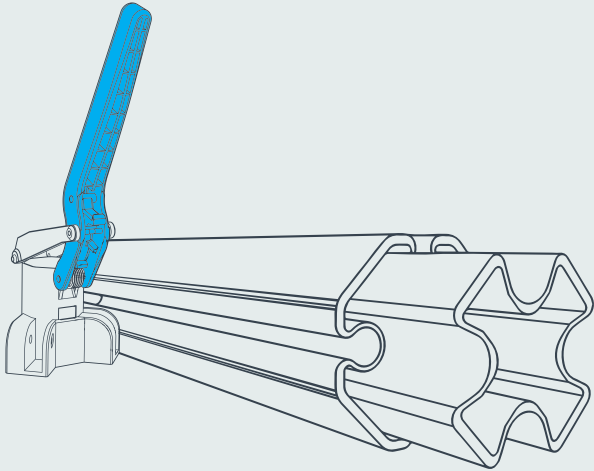




# STRONGMAN SPECS

MODELS: ZP330, ZP345, ZP360, ZP660, ZP440, ZP460, ZP480,  
ZP480R, ZPH550, ZPH660, ZP330P, ZP440P, ZP550P

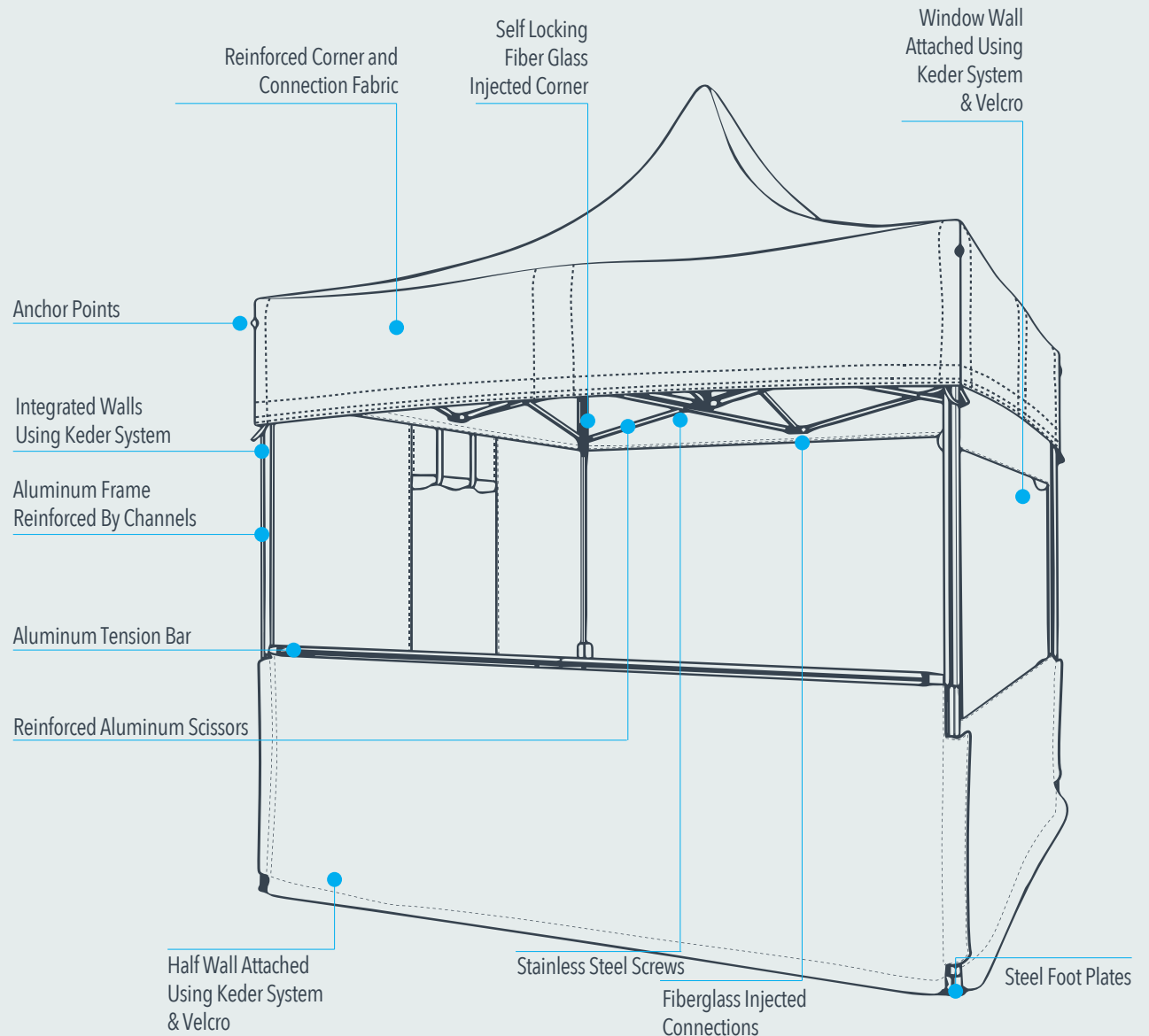
# POP UP TENT | Strongman (ZP)



Thank you for choosing the Strongman.

When the decision comes to the audience for best performance, the ZP Strongman pop up canopy tent is considered the people's choice; it leaves all of its spectators in awe, and is an absolute ambassador for the entire pop up series. First-class engineering enables the model to be drafted for instant assembly, as well as malleable for frequent use in near permanent settings. The overall technology of this series includes many LP TENT patents, making this canopies design unparalleled.

For an optimal use of this product we invite you to follow our setup guide.



VISIT THE SUPPORT PAGE AT [LPTENTUSA.COM](http://LPTENTUSA.COM) / [LPTENT.CA](http://LPTENT.CA) FOR MORE INFORMATION ON LP TENT PRODUCTS.

# PRODUCT SPECIFICATIONS | Strongman (ZP)

**Frame Material:** 4 Channel Virgin Aluminum, 4 poles (ZP330, XP345, ZP440, ZP460, ZP550), 6 Poles (ZP360, ZP480, ZPH550, ZPH660), 8 Poles (ZP480R, ZP660), 50mm  
**Scissor Material:** 2 Channel Virgin Aluminum  
**Connectors:** Injected Fiberglass Connectors  
**Hardware:** Stainless Steel Bolts  
**Area:** ZP330 - 97sqft, ZP345 - 145sqft, ZP360 - 194sqft, ZP440 - 172sqft, ZP460 & ZPH660 - 258sqft, ZP480 & ZP480R - 354sqft, ZP550 - 269sqft, ZP660 - 388sqft, ZPH550 - 178sqft  
**Height of the Peak:** 11.81'  
**Ridge Height:** Min 6.46' Max 7.22'  
**Top Material:** PVC 360 gr/sqm or Poly 300 gr/sqm  
**Fire Rating:** NFPA-701, ULC-S109  
**Designed Snow Load:** 6"  
**Designed Wind Load:** 100 km/h (62m/hr), in high winds walls must be fully enclosed or fully open.  
**Weight per Leg:** ZP330, ZP345, ZP360 - 44lbs, ZP440, ZP460, ZP480, ZP480R, ZP550, ZP660, ZPH550, ZPH660 - 66lbs  
**Guy Rope Weight per Leg:** ZP330 - 150lbs, ZP345, ZP360, ZP440 - 225lbs, ZP460, ZP480, ZP480R, ZP550, ZP660, ZPH550, ZPH660 - 300lbs

**Wind speed** is the wind directly on the tent. The reported wind speed is measured 33' above ground at a local airport weather station. Wind on your tent may be effected considerably by topography, trees, buildings, fences, and other adjacent roughness.

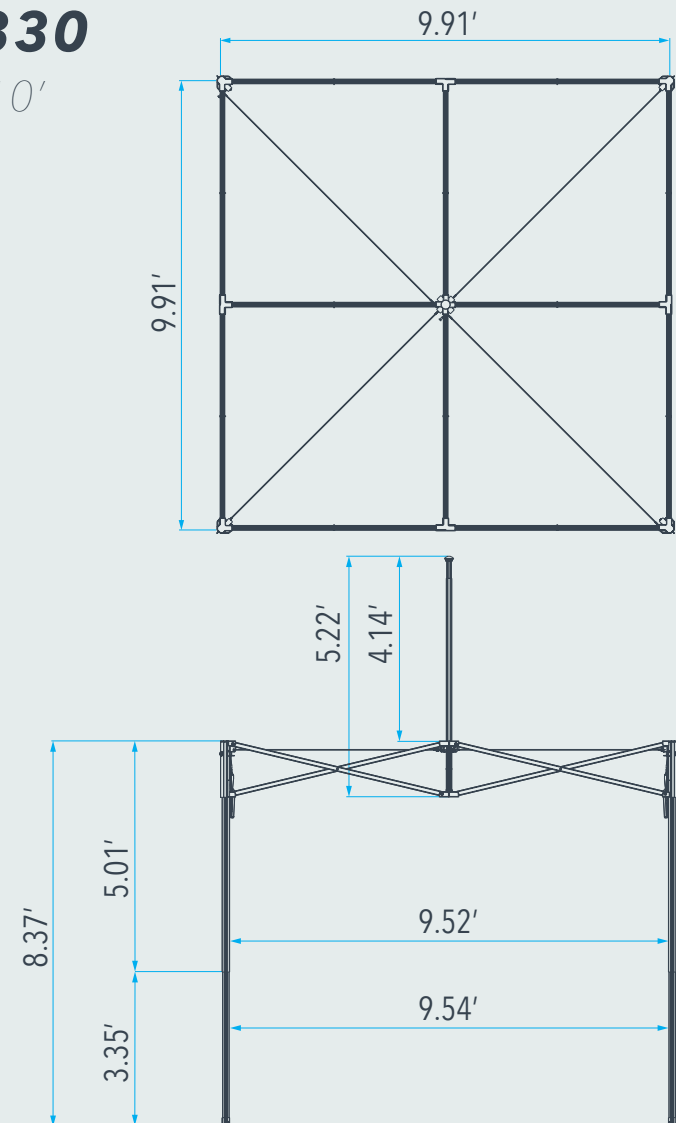
To increase stability, stakes and ropes are recommended with every use.

Since weather can impose large forces, good judgment and common sense must be used while setting up and securing a tent. It is the responsibility of the tent owner to be aware of any anticipated extreme weather to which the tent may be subjected to and to plan for any timely evacuation, and if necessary, for the safe take down of the tent. A successful event is a safe event.

The tent structure should be disassembled if the forecasted wind speeds are above what is recommended for the tent design.

## ZP330

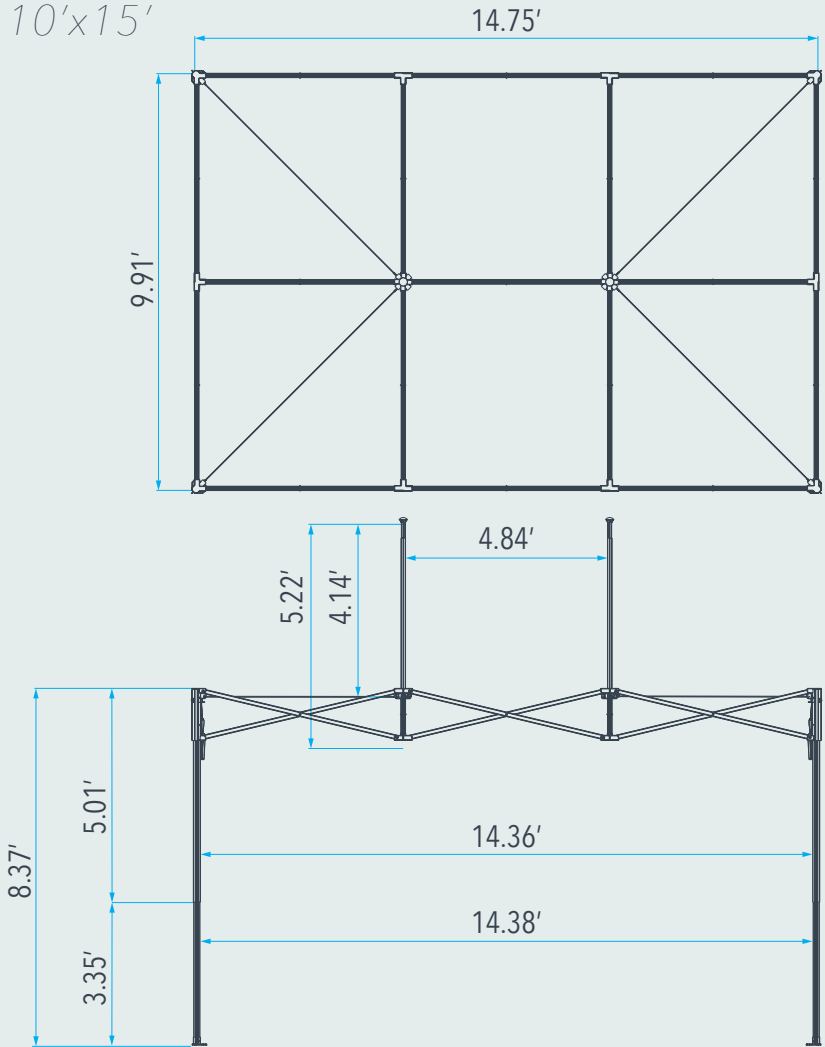
10'x10'



# PRODUCT SPECIFICATIONS | Strongman (ZP)

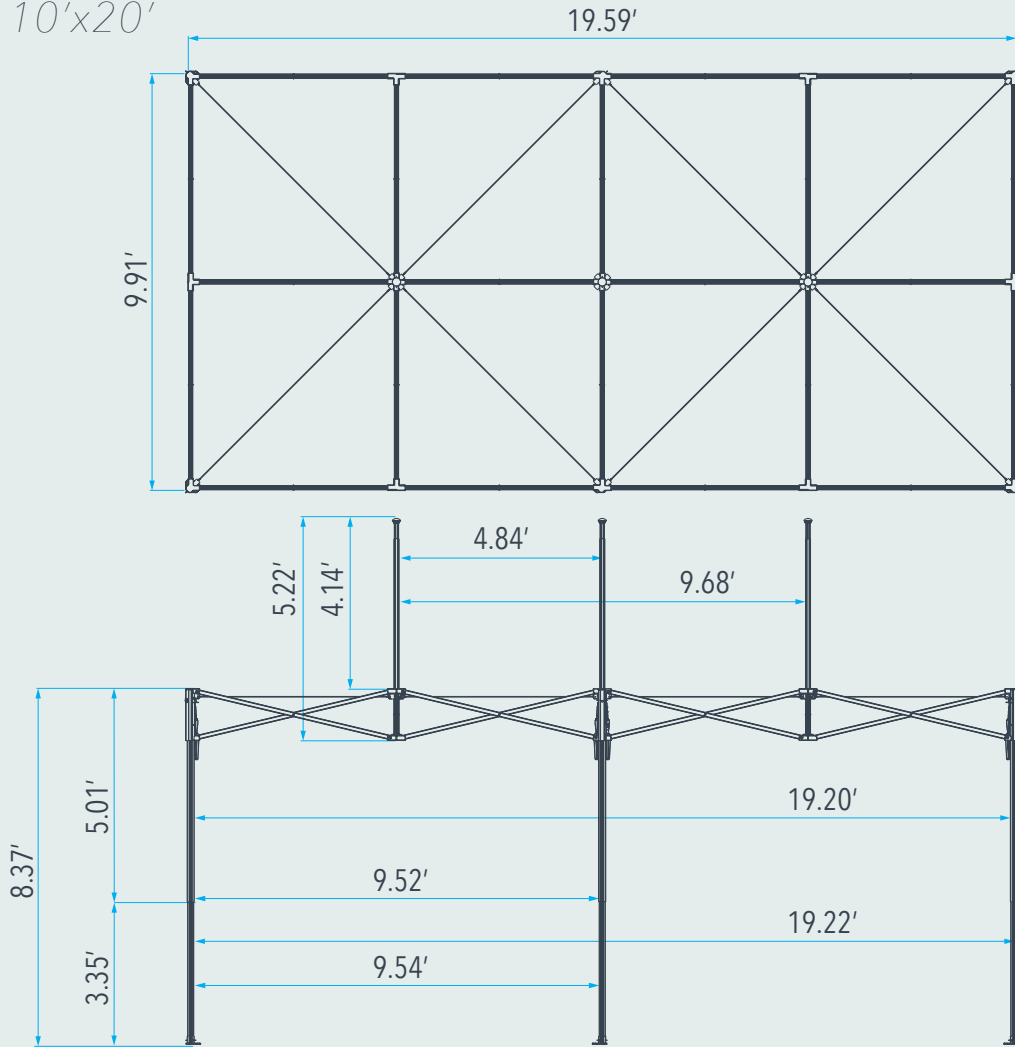
## ZP345

10'x15'



## ZP360

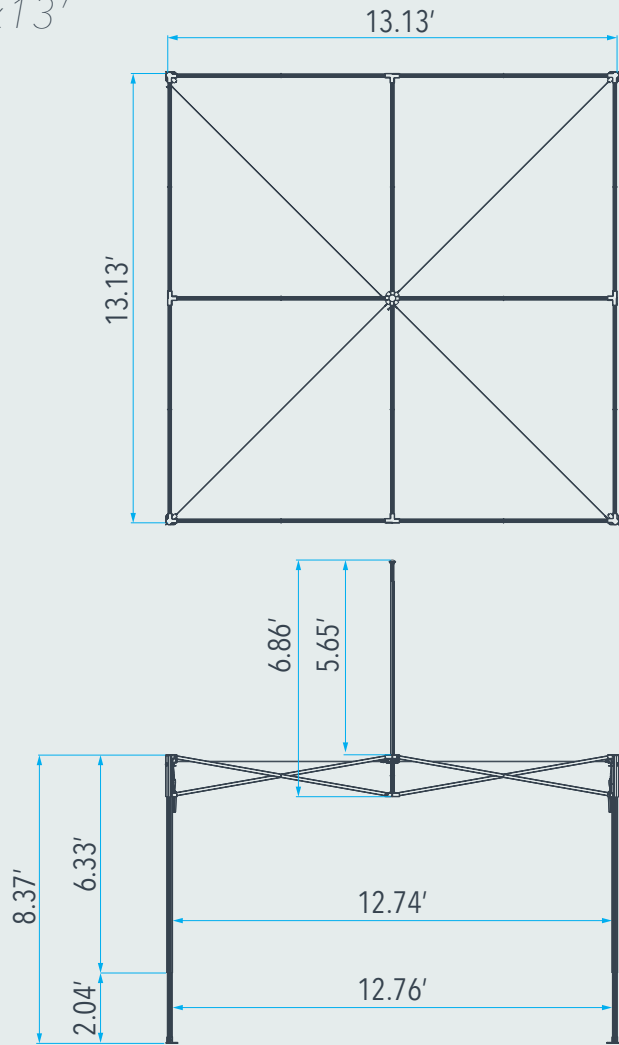
10'x20'



# PRODUCT SPECIFICATIONS | Strongman (ZP)

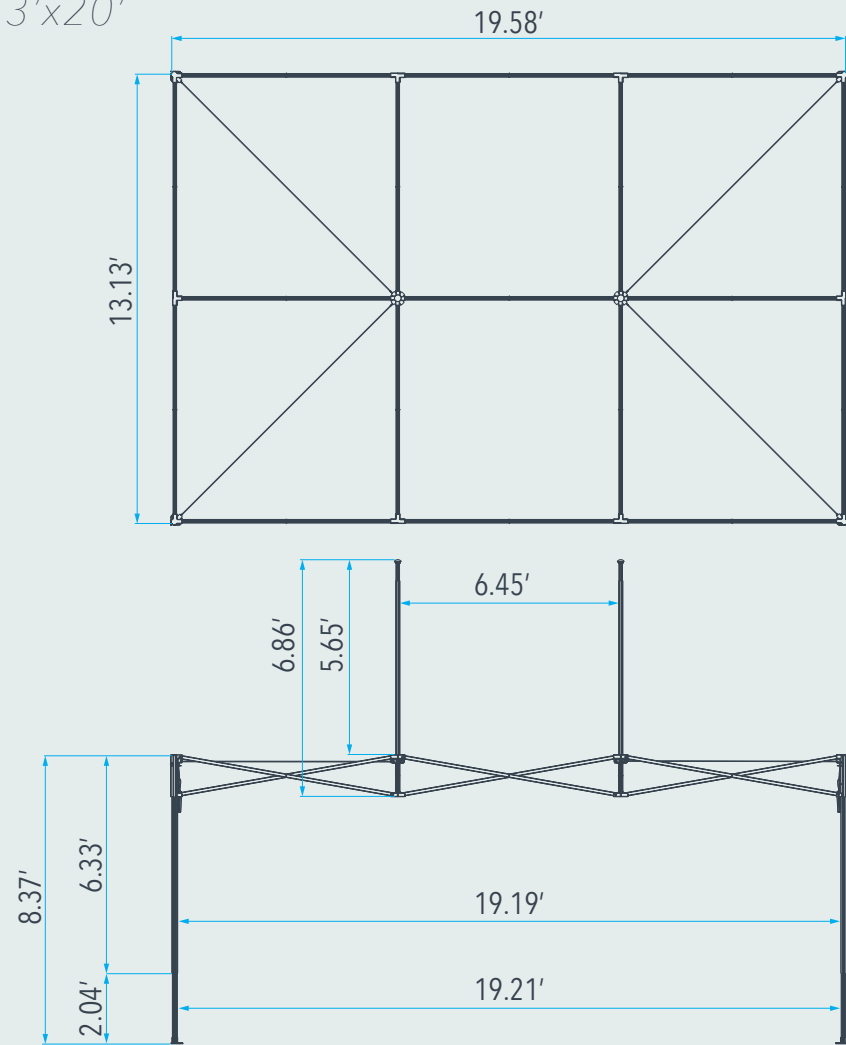
## ZP440

13'x13'



## ZP460

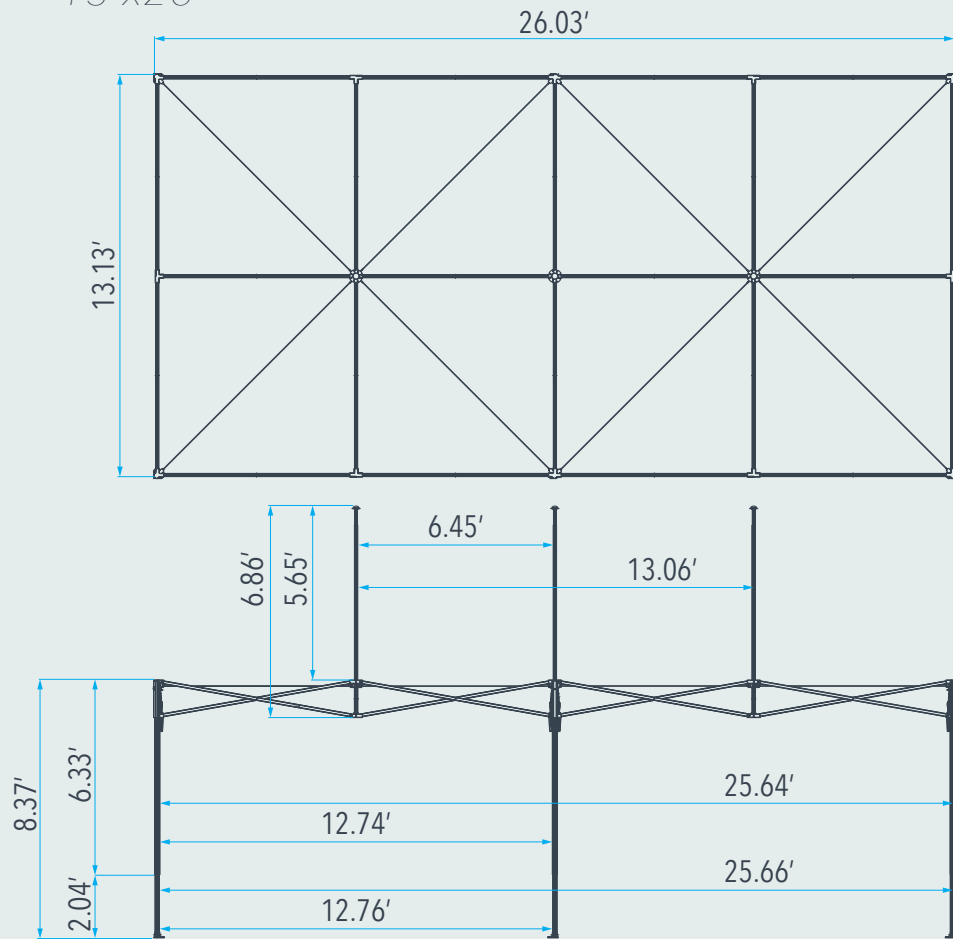
13'x20'



# PRODUCT SPECIFICATIONS | Strongman (ZP)

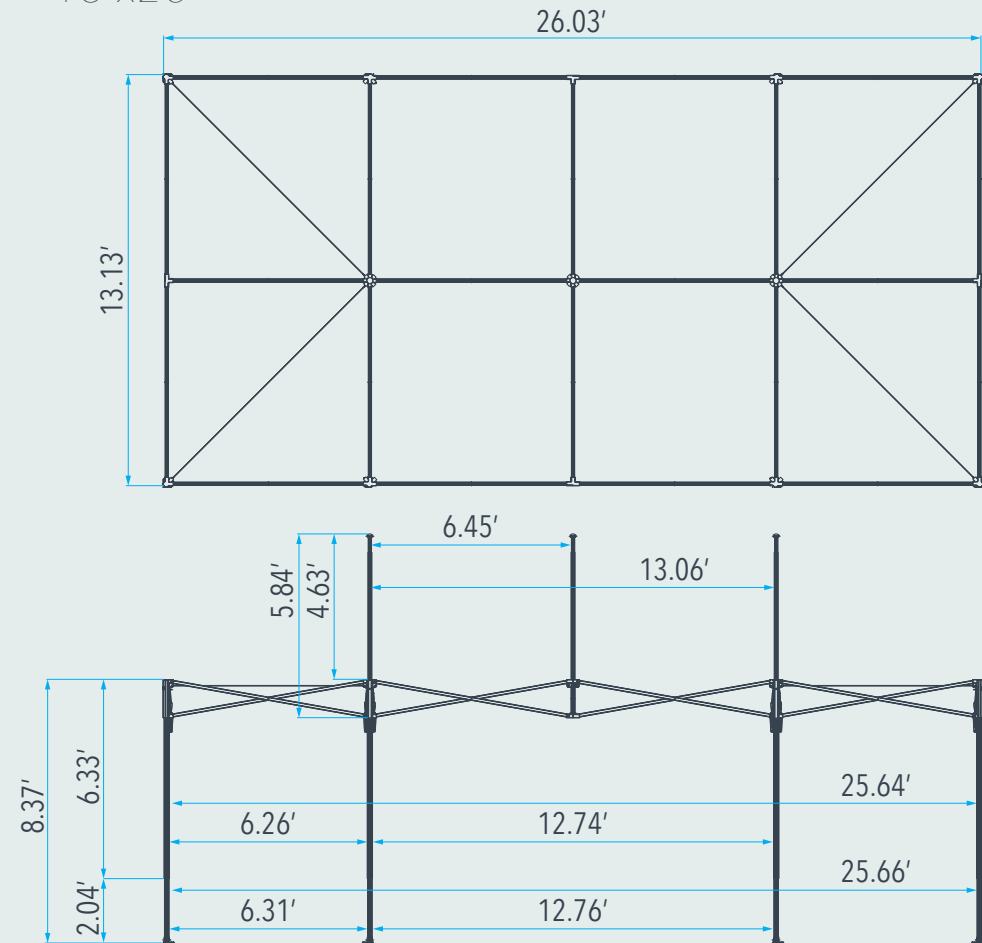
## ZP480

13'x26'



## ZP480R

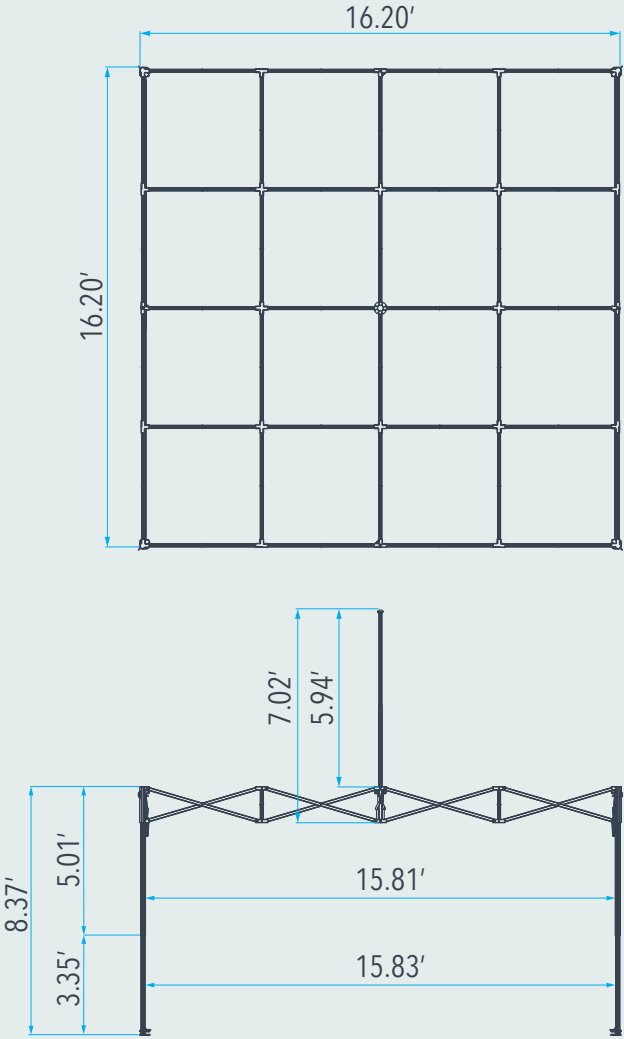
13'x26'



# PRODUCT SPECIFICATIONS | Strongman (ZP)

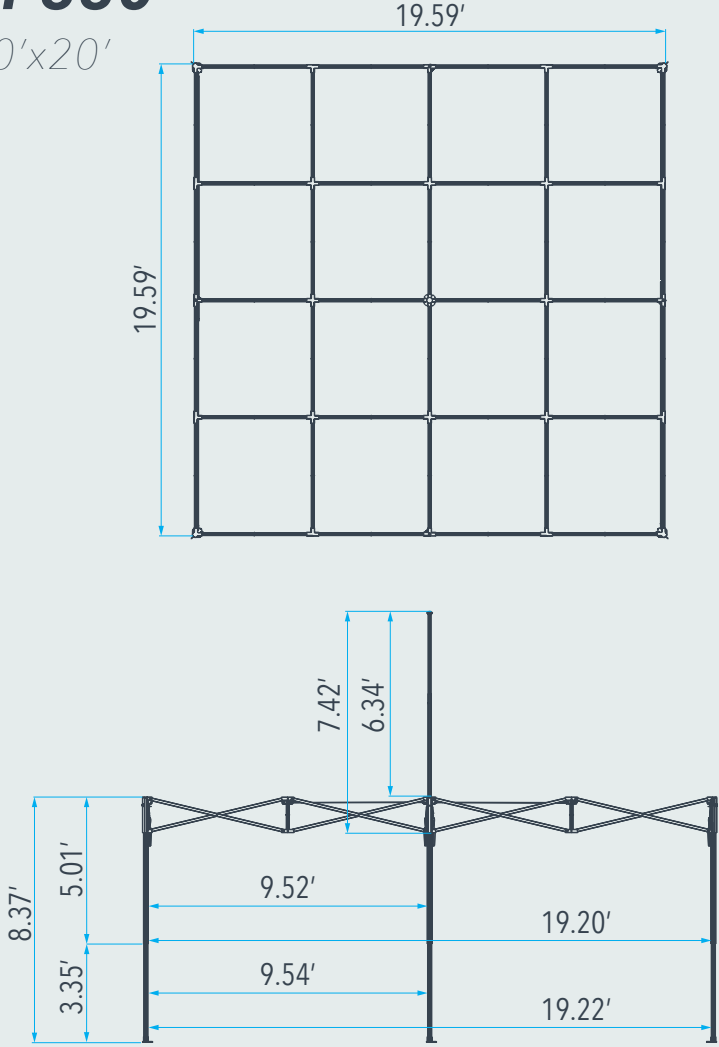
## ZP550

16'x16'



## ZP660

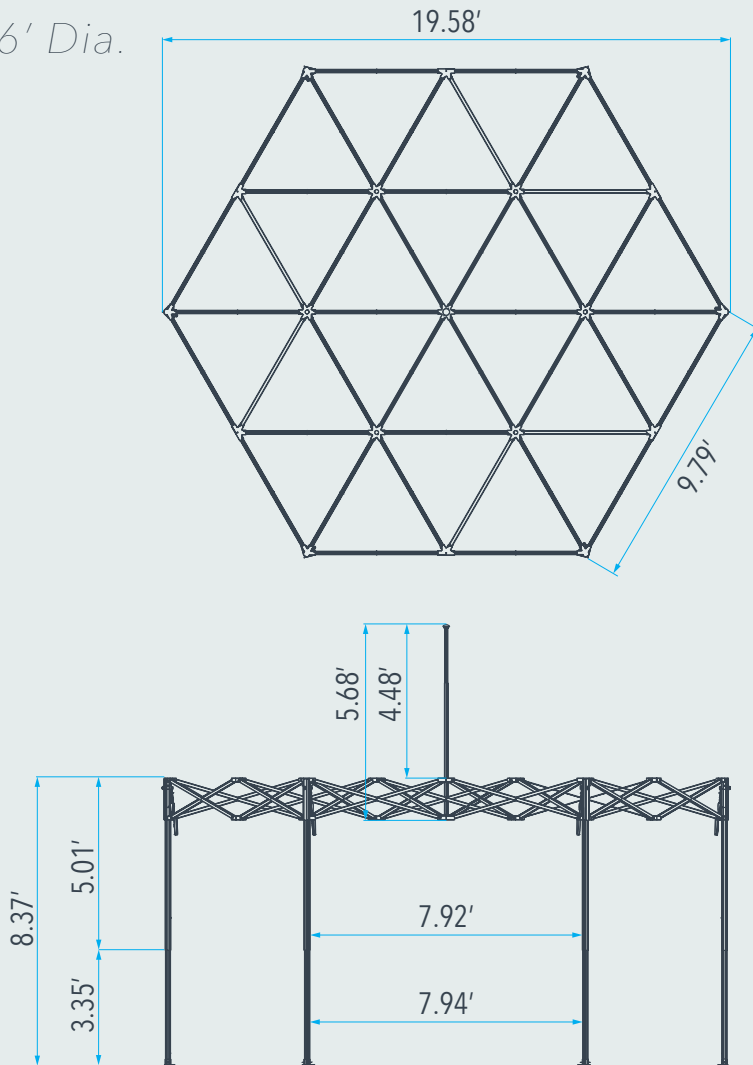
20'x20'



# PRODUCT SPECIFICATIONS | Strongman (ZP)

## ZPH550

16' Dia.



## ZPH660

20' Dia.

