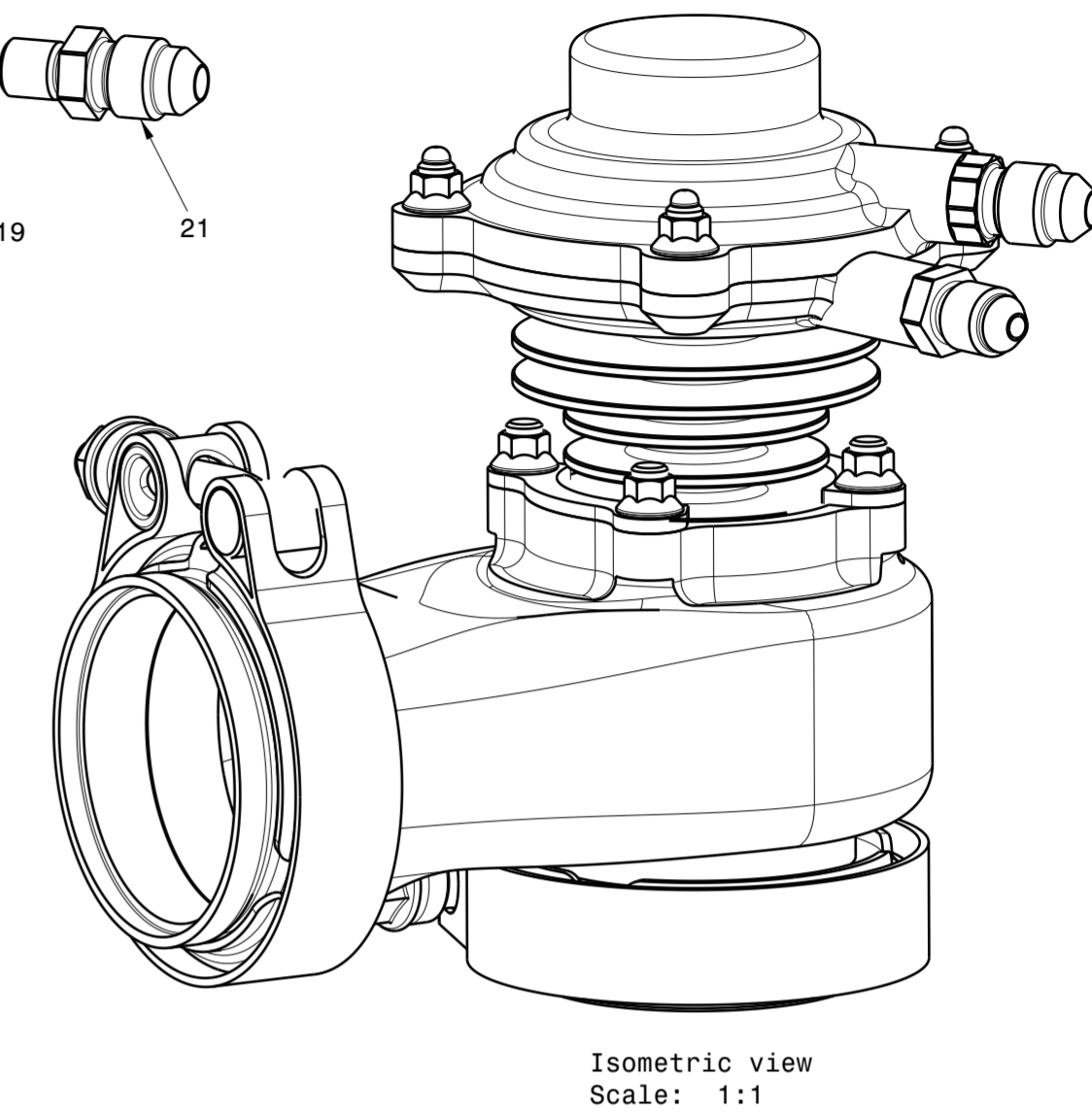
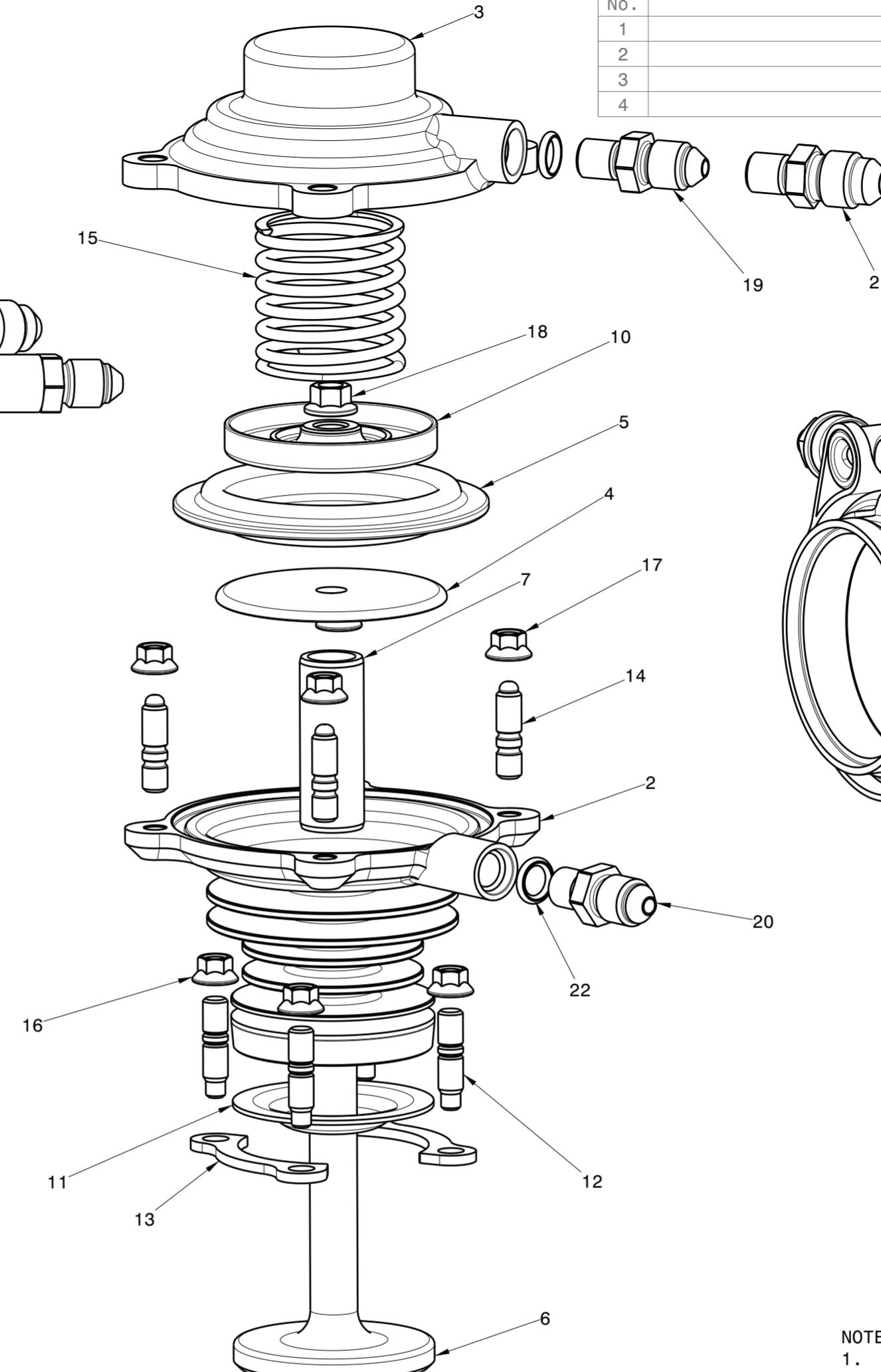
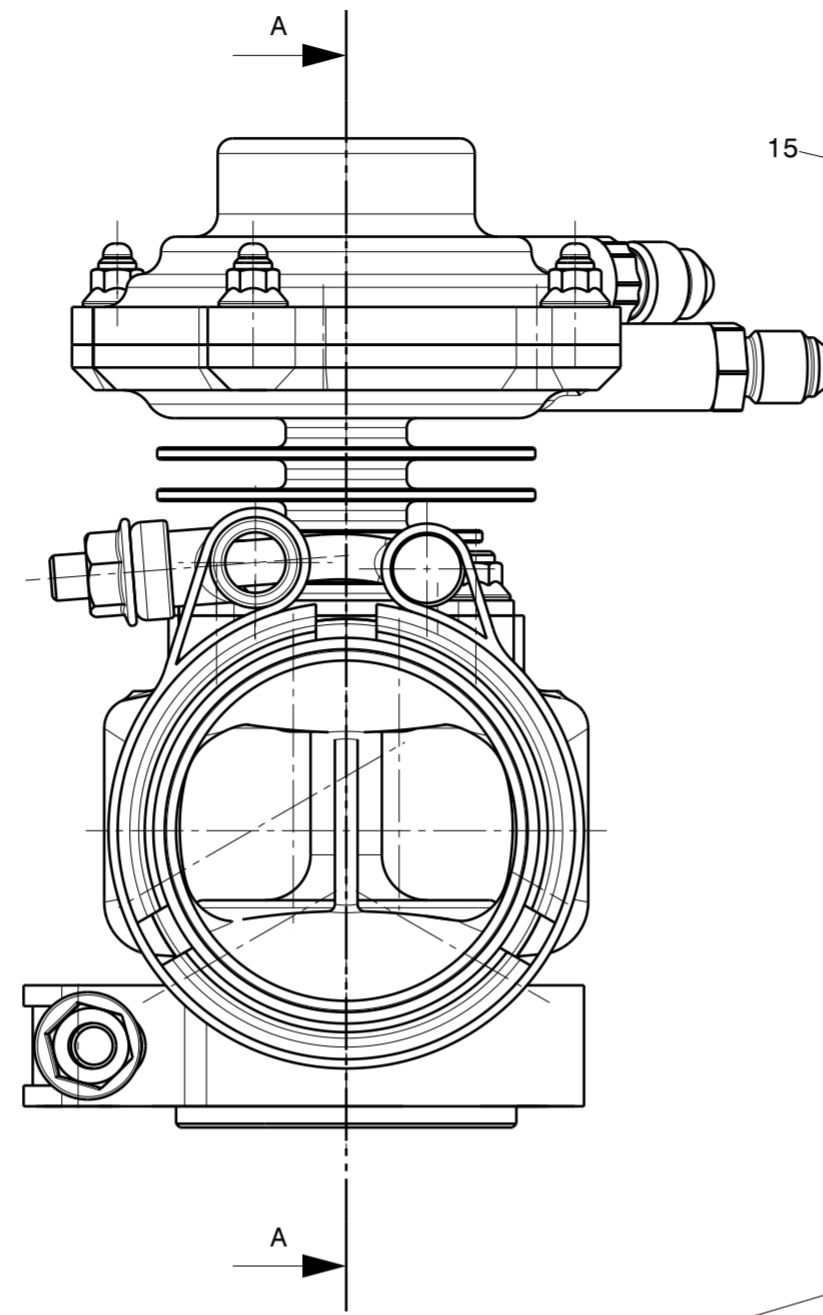
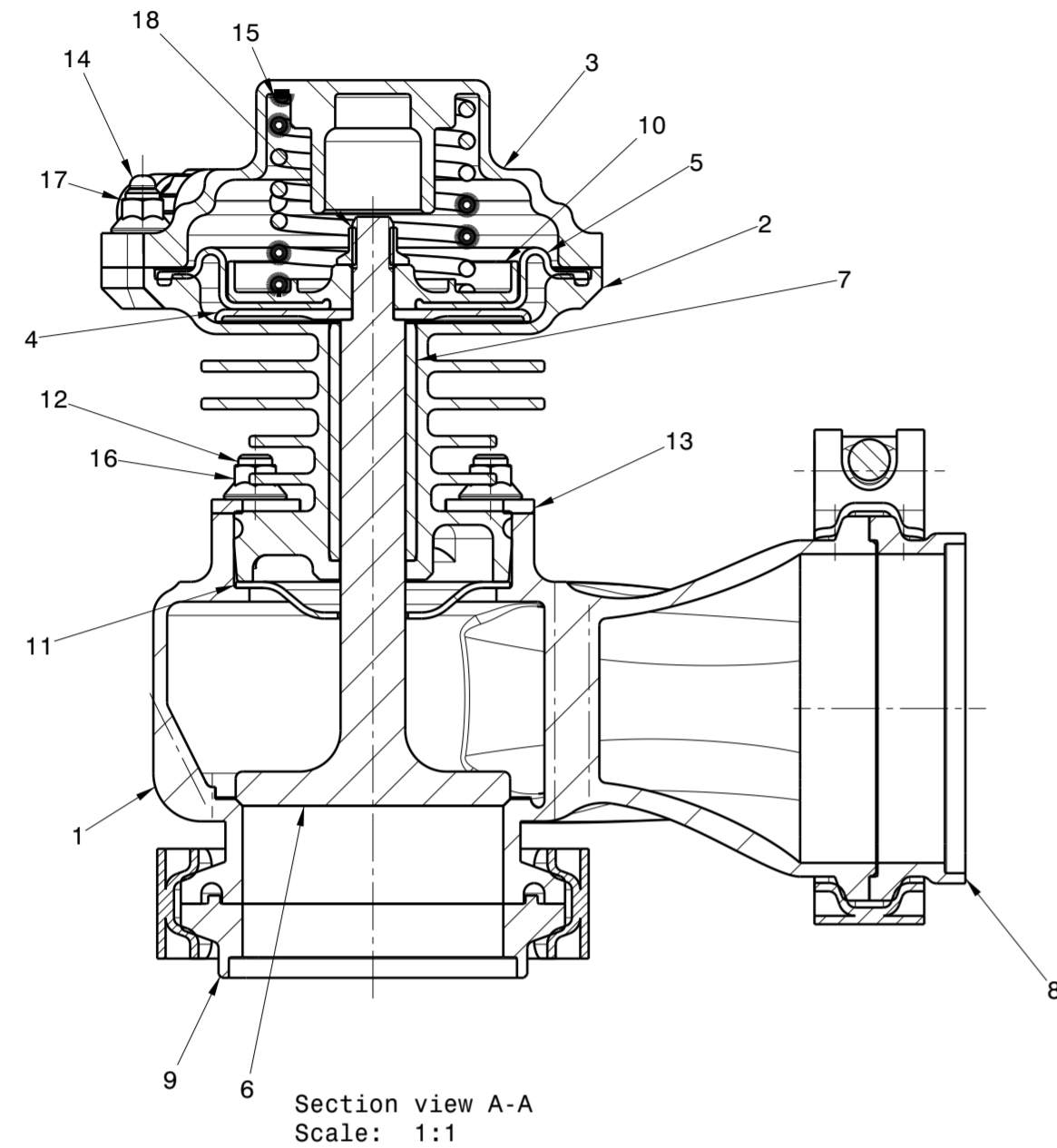


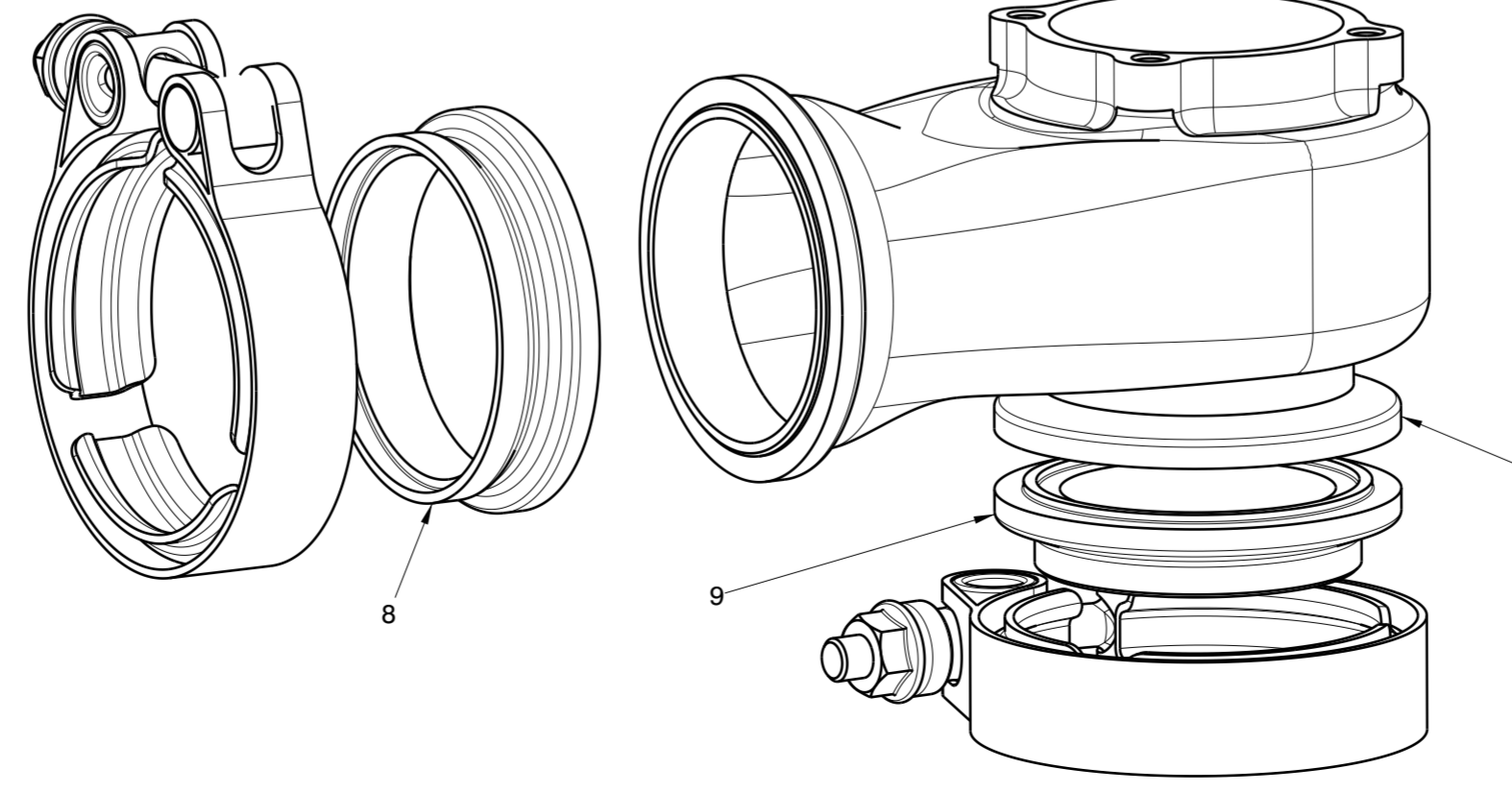
Quantity per assembly:- 1

No.	PROCESS.	Done.
1	Manufacture.	
2	Inspect.	
3	Part mark as shown.	
4	Record weight.	



Bill of Material: 4031-017-111-02

Number	Part Number	Product Description	Quantity	Nomenclature
1	119-017-111	Casting - 38mm Wastegate	1	900-012-300
2	257-017-111	Valve Guide Housing - 4 Fixing	1	
3	258-017-111	Cap - 4 Fixing	1	900-012-196
4	295-018-111-02	Diaphragm Washer	1	
5	222-017-111	Diaphragm - EH-5025 Material	1	1031-016-444
6	122-017-111	Dia 40 Valve Solid	1	DS1-43
7	140-017-111	Valve Guide	1	DW1-23
8	174-017-111	Outlet Ring	1	DS1-13
9	175-017-111	Inlet Ring 38mm	1	DS1-07
10	256-017-111	Piston - Diaphragm - Wastegate	1	
11	123-017-111	Heatshield	1	DS1-2013
12	112-017-111	Stud - Casting To Body	4	DW1-71
13	129-017-111	Retaining Plate	2	900-012-302
14	113-017-111	Stud - Body To Cap	4	412-014-999
15	143-017-111	Spring - 110N	1	DS11-13-110N
16	HM41-050	K-Nut - M5 - Silver	4	
17	HM14-050	K-Nut - M5	4	
18	HM41-060	K-Nut - M6 - Silver	1	
19	111-017-111	Dash 3 Fitting - Blue	1	900-011-022
20	110-017-111	Dash 3 Fitting - RED	1	900-011-022
21	261-017-111	Dash 4 Dash 2 Fitting	1	DS15-026 (OPTION)
22	BS-902	O Ring	2	
	DW 0585	Teconnex Clamp	2	DW 0585



NOTES:  
1. THE SPRING MAYBE CHANGED FOR 144-017-111 (40N)

02.0	PARTS 4, 5 AND 18 CHANGED NOTE ADDED	SM	PK	PC	06/06/18
01.0	Initial Issue	SM	PK	PC	08/11/17
Issue	Issue Change	Drw.	Chk.	Appr.	Date
Drawing Standard	BS 8888	Unit 7, Park Industrial Estate Frogmore St Albans Herts, AL2 2DR UK			
Dimensions in mm					
Material Spec.	N/A	<small>This drawing and the copyright herein, are the property of DSPS Engineering Ltd. It is private, confidential and is issued on the express condition that it is not used for any other purpose, copied or communicated to any other party without the written consent of DSPS Engineering Ltd. Inspect to this data, then return the drawing and any electronic data with component to DSPS Engineering Ltd.</small>			
Heat Treatment Spec.	N/A	General Tolerances Unless otherwise stated	Surface Texture EN ISO 1302 Unless otherwise Stated	CAD Mass (gm) *** Lifed Y/N	
Finish/Protection Spec.	N/A	ISO 2768 -fH	Thread Tolerances Metric 6H(int) 6g(ext) Inch 2B(int) 2A(ext)	* Service Y/N	
Description	WASTEGATE - LW - 2018		Part Number As Drawn	Class	Sheet Size
Drawn	SM	Part Number Sym. Opp.	4031-017-111	*	A2
Email	perry@dps.technology	Class	*	Sheet	
Phone Direct	+44 7973 289819			1 of 1	