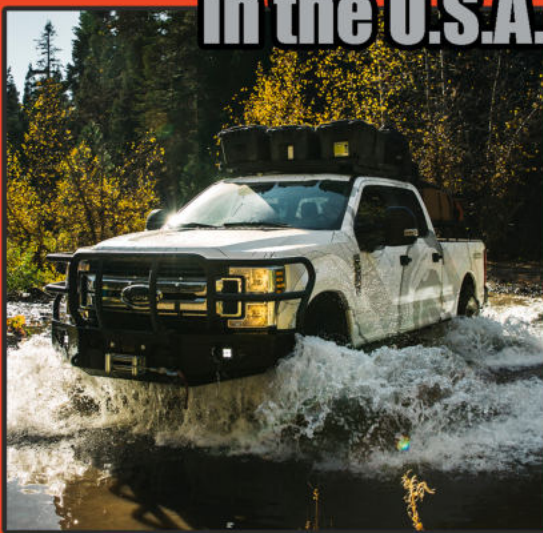




PRODUCT CATALOG

The #1 Extra Large Capacity Fuel Tanks
in the U.S.A. Since 2003



Applies to all products Within Catalog;



**WARNING; Cancer and
Reproductive Harm.**
www.p65warnings.ca.gov

TABLE OF CONTENTS

- 2** **XXL Fuel Tanks**
- 3** **RAM Midship Replacement Tanks**
- 4** **Ford Midship Replacement Tanks**
- 5** **GM Midship Replacement Tanks**
- 6** **Nissan Midship Replacement Tanks**
- 7** **Travel Trekker Auxiliary Fuel Systems**
- 8** **Travel Trekker Auxiliary Fuel Systems**
- 9** **Spare Tire Aux Fuel Systems/STAFS**
- 10** **60 Gallon In-Bed Aux Systems**
- 11** **Cab & Chassis Fuel Tanks**
- 12** **Cab & Chassis Fuel Tanks**
- 13** **Accessories & Shop Equipment**
- 14** **In-Cab Electronic Controller**

XXL FUEL TANKS



Innovation, quality, durability, refinement—are all synonymous with the name “TITAN Fuel Tanks™”. Our remarkable products are all made in the U.S.A. and we stand squarely behind them with an industry-leading Limited Lifetime Warranty. The exclusive Generation V sending unit mounting system has become the industry leader over the last ten years. With a TITAN™ product, no carbon steel comes in contact with your fuel at any time. Just another feature that leads the way by ensuring against corrosion and fuel contamination.

All of our super-durable tank products are made from military grade, cross-linked polymer. Designed to perform in extremely hot and cold temperatures, this innovative material is as much as 20 times more durable than linear polymer stock (OEM) tanks. The U.S. Department of Defense utilizes the very same processes, materials and expertise to fuel many of their front-line, combat vehicles.

New Gen6 Tanks

In 2017 TITAN™ announced the new Generation 6 line of mid-ship fuel tanks. New generations are only released when significant improvements are made to the product. Now TITAN™ introduces its new Torque Ring sending unit mounting system. This new system significantly speeds and simplifies installation, and continues the imperative of keeping corrodible metals from contacting your expensive fuel. This new OEM style sending unit has a number of additional advantages. Some of these are: • No sending unit flange bolts to correctly torque • Only one gasket to manage • Most stock top rings will fit, including those with guards or accessories • The product is aesthetically more pleasing • Helps the product look even more original equipment. Presently, the new Gen6 enhancements are only available on some selected products for Ford, GM and RAM vehicles. However, plans are afoot to adapt the new system to other, most popular TITAN Fuel Tanks™ products as time allows.

Mid-ship Tank Capacity Comparison

Diesel Truck	Stock Tank	TITAN™ Tank
Ford Crew Cab Short Bed	34 Gallon (129 L)	55 Gallon (208 L)
Ford Crew Cab Long Bed	48 Gallon (182 L)	65 Gallon (246 L)
Ford Crew Cab Short Bed	26 Gallon (98 L)	50 Gallon (189 L)
Ford Crew Cab Long Bed	36 Gallon (136 L)	65 Gallon (246 L)
RAM Crew Cab Short Bed	34 Gallon (129 L)	56 Gallon (212 L)
RAM Quad/Crew Cab Long Bed	34/32 Gallon (129/121 L)	60/55 Gallon (227/208 L)
RAM Mega Cab Short Bed	34/31 Gallon (129 L)	52/51 Gallon (197 L)
RAM 1500 EcoDiesel	26 Gallon (98L)	39 Gallon (148L)
GM Extended Cab Short Bed	26 Gallon (98 L)	39 Gallon (148 L)
GM Crew Cab Short Bed	36/26 Gallon (136/98 L)	57/52 Gallon (216/197 L)
GM Colorado Crew Cab Long Bed	21 Gallon (79 L)	36 Gallon (148 L)
Nissan Titan XD Crew Cab 6'7" Bed	26 Gallon (98L)	50 Gallon (189 L)

Extra-Large Midship, Under-Body Replacement Tanks for

RAM Pickup Trucks



Midship, Under-Body, Replacement Tanks for Diesel Trucks with Pickup Beds

MODELS	CAB TYPE	BED LENGTH	YEARS	GALLONS	PART NUMBER
2500 & 3500	Crew	6-1/2 ft.	2010-2012	56 (212 L)	7030210
2500 & 3500	Quad/Crew	8 ft.	2003-2012	60 (227 L)	7030303
2500 & 3500	Mega	6-1/2 ft.	2006-2012	52 (197 L)	7030206
2500 & 3500	Mega	6-1/2 ft.	2013-2019	50 (193 L)	7030213
2500 & 3500	Crew	8 ft.	2013-2019	55 (208 L)	7030313
1500	Crew	6'4"	2014-2019	39 (148 L)	7031214
NEW 2500 & 3500	Crew	6 ft.	2013-2019	TBA	7030113

Shields for Dodge/RAM XXL Midship, Under-Body, Fuel Tanks

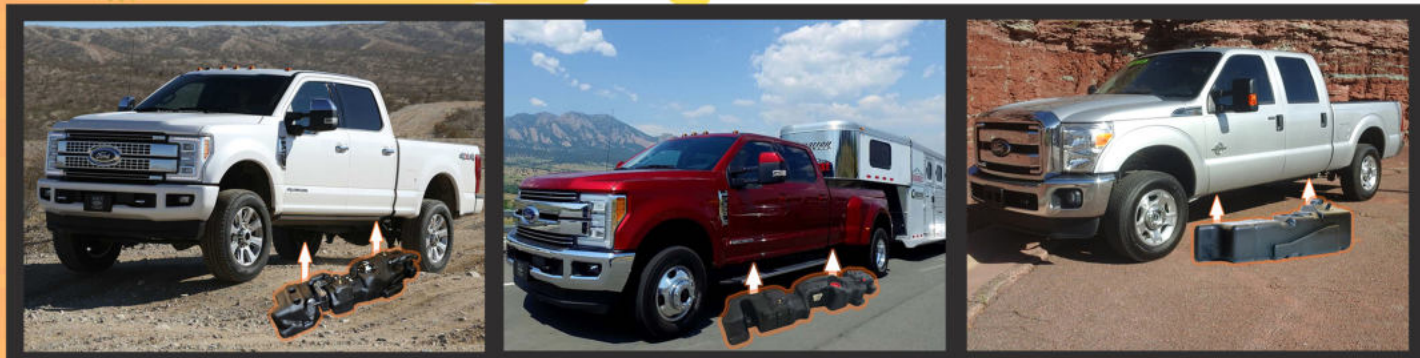
PART NUMBER	DESCRIPTION	NOTES
0299012	Custom Shield for 7030210 Dodge CCSB	Unboxed
0299012B	Custom Shield for 7030210 Dodge CCSB	Box Packaged
0299011	Custom Shield for 7030303 Dodge CCLB	Unboxed
0299011B	Custom Shield for 7030303 Dodge CCLB	Box Packaged
0299013	Custom Shield for 7030313 Dodge CCLB	Unboxed
0299013B	Custom Shield for 7030313 Dodge CCLB	Box Packaged
0299014	Custom Shield for 7030213 Dodge Mega	Unboxed
0299014B	Custom Shield for 7030213 Dodge Mega	Box Packaged

Dodge/RAM Optional Equipment

PART NUMBER	DESCRIPTION	NOTES
0299001	DODGE, Mega Cab, Short Bed Tank Adaption Kit	Allows the 7030206 tank to be mounted in vehicles with factory transmission skid plates
0299003	DODGE, Mega Cab Short Bed Front "S" Support	Required for trucks which do not have the factory transmission skid plate
0299007	DODGE, Fuel Line Extension Kit	Required on 2011-2012 Dodge Mega Cab trucks

Extra-Large Midship, Under-Body Replacement Tanks for

FORD Pickup Trucks



Midship, Under-Body, Replacement Tanks for Diesel Trucks with Pickup Beds

MODELS	CAB TYPE	BED LENGTH	YEARS	GALLONS	PART NUMBER
F250 & F350	Crew	6-1/2 ft.	1999-2007	51 (193 L)	7020299
F250 & F350	Crew	6-1/2 ft.	2008-2010	51 (193 L)	7020208
F250, F350 & F450	Crew & Extended	8 ft.	1999-2007	60 (227 L)	7020599
F250, F350 & F450	Crew & Extended	8 ft.	2008-2010	60 (227 L)	7020508
F250, F350 & F450	Crew	8 ft.	1999-2007	67 (254 L)	7020399
F250, F350 & F450	Crew	8 ft.	2008-2010	67 (254 L)	7020308
F250 & F350	Crew	6-1/2 ft.	2011-2016	50 (189 L)	7020211
F250, F350 & F450*	Crew	8 ft.	2011-2016	65 (246 L)	7020311
F250 & F350	Crew	6-1/2 ft.	2017-2019	55 (209 L)	7020217
F250 & F350	Crew	8 ft.	2017-2019	65 (209 L)	7020317
NEW F150	Crew	6.5 ft.	2018-2019	48 (182 L)	7021218
NEW F150	Crew	5.5 ft.	2018-2019	40 (151 L)	7021518
NEW F250 & F350	Crew	6-1/2 ft.	2011-2016	60 (227 L)	7021211

*7020311 may not fit some 2015 F450 trucks.

Shields for Ford XXL Midship, Under-Body, Fuel Tanks

PART NUMBER	DESCRIPTION	NOTES
9999999	Universal Shield for 1999-2010 Ford Tanks	Unboxed
9999999B	Universal Shield for 1999-2010 Ford Tanks	Box Packaged
0299004	Custom Shield for 7020211 Ford CCSB	Unboxed
0299004B	Custom Shield for 7020211 Ford CCSB	Box Packaged
0299006	Custom Shield for 7020311 Ford CCLB	Unboxed
0299006B	Custom Shield for 7020311 Ford CCLB	Box Packaged

Ford Optional Equipment

PART NUMBER	DESCRIPTION	NOTES
0299001	FORD, F450 Long Bed Tank Adaption Kit	Allows the 7020308 tank to be mounted into the 2008-2010 F450, Long Bed truck
0299002	FORD, Fuel Line Extension Kit	Required on some 2008-2010 Ford trucks

page

4

Extra-Large Midship, Under-Body Replacement Tanks for

GM Pickup Trucks



Midship, Under-Body, Replacement Tanks for Diesel Trucks with Pickup Beds

MODELS	CAB TYPE	BED LENGTH	YEARS	GALLONS	PART NUMBER
2500 & 3500	Extended	6-1/2 ft.	2001-2010	39 (148 L)	7010101
2500 & 3500	Crew	6-1/2 ft.	2001-2010	52 (197 L)	7010201
2500 & 3500	Crew	8 ft.	2001-2010	62 (235 L)	7010301
2500 & 3500	Crew	6-1/2 ft.	2011-2016	57 (216 L)	7010211
2500 & 3500	Extended	8 ft.	2011-2016	60 (227 L)	7010411
2500 & 3500	Crew	8 ft.	2011-2012, 2014-2016*	60 (227 L)	7010311
2500 & 3500	Crew	8 ft.	2013-2016*	60 (227 L)	7010313
Colorado	Crew	6' 2"	2017 - 2019	36 (148 L)	7012316
NEW 2500 & 3500	Crew	6- 1/2 ft.	2017 - 2019	56 (212 L)	7010217

*7010311 is required for trucks with a two piece driveshaft and 7010313 for trucks with a single piece driveshaft

Midship, Under-Body, Replacement Tanks for Diesel Trucks with Pickup Beds

MODELS	CAB TYPE	BED LENGTH	YEARS	GALLONS	PART NUMBER
2500 & 3500	Extended	6-1/2 ft.	2001-2010	39 (148 L)	7010101
2500 & 3500	Crew	6-1/2 ft.	2001-2010	52 (197 L)	7010201
2500 & 3500	Crew	8 ft.	2001-2010	62 (235 L)	7010301
2500 & 3500	Crew	6-1/2 ft.	2011-2016	57 (216 L)	7010211
2500 & 3500	Extended	8 ft.	2011-2016	60 (227 L)	7010411
2500 & 3500	Crew	8 ft.	2011-2012, 2014-2016*	60 (227 L)	7010311
2500 & 3500	Crew	8 ft.	2013-2016*	60 (227 L)	7010313
2500 & 3500	Crew	6- 1/2 ft.	2017 - 2019	56 (212 L)	7010217

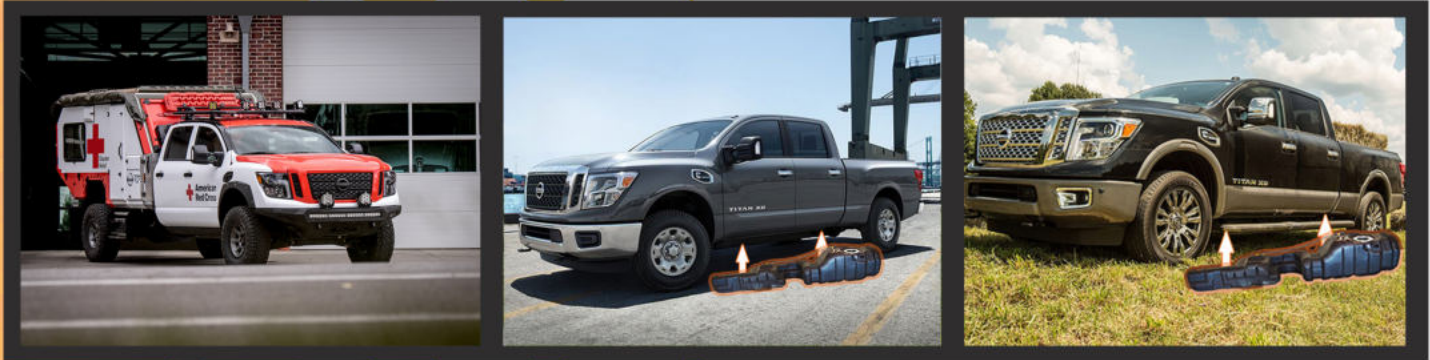
GM Optional Equipment

PART NUMBER	DESCRIPTION	NOTES
0199003	LB7 Kit	Required on all 2001 to 2003 GM trucks. Required on 2004 models if the eighth character in the VIN is a "1".

Extra-Large Midship, Under-Body Replacement Tanks for



NISSAN Pickup Trucks



50 Gallon, extra capacity, extra heavy duty mid-ship replacement fuel tank for 2016-2019 NISSAN Titan XD pickups with Crew Cabs, 6 ft 7 in beds and Cummins engines.

Tank comes complete with 2 ea. rear straps, 1 ea. center point mounting system, 1 ea. front mounting bracket for a total of four mounting support points for worry-free installation. It also comes with rollover safety vent valves and all accessories needed for installation. Tapered tank features exclusive low fuel trap design so every gallon can be used, and hangs only 2 1/4" below the bottom of the stock tank. TITAN Tanks' incredibly tough Gen V sending unit mounting system eases installation.

Midship, Under-Body, Replacement Tank for the Nissan Titan XD

MODELS	CAB TYPE	BED LENGTH	YEARS	GALLONS	PART NUMBER
XD	Crew	6' 7"	2016-2019	50 (189 L)	7040216

Additional Tanks for use on the Nissan Titan XD

PART NUMBER	Product Name
5410050	50 Gallon Travel Trekker In-Bed Auxiliary System
5410040	40 Gallon Travel Trekker In-Bed Auxiliary System
5410060	60 Gallon In-Bed Auxiliary Fuel System
5040015	SideKick In-Bed Liquid Transfer Tank

page

6

TRAVEL TREKKERTM



IN-BED AUXILIARY FUEL SYSTEMS



The Travel Trekker Auxiliary Tank Systems take the concept of what an auxiliary tank has been and brings it to the modern day. The tank is made of the same space age polymer that TITAN uses to manufacture all of their tanks. This material does not rust or corrode, it is flexible so that when impacted it absorbs the force and then pops right back into shape. It is 415 times less heat and cold conductive than aluminum and being made of the polymer, the tank is molded which enables the engineers to build strength into the tank through bends and contours. How strong are they? The Travel Trekker Auxiliary Tank not only meets, it exceeds DOT (Department of Transportation) standards and meets DOT FMCSA Title 49 Requirements. While the tank is impressive the controller and pump of the Travel Trekker are the heart of the system. The in-cab controller allows the driver to transfer fuel with a simple push of a button, it is very simple to use and very convenient allowing for "on the fly" operation. The Travel Trekker Systems take up very little room in the bed considering the amount of diesel that they carry.

The 50 Gallon System stands only 19.25" tall which allows for most bed covers to be used and at only 17.5" deep it leaves plenty of room for 5th wheel hitches.

The 40 Gallon System is designed for smaller trucks trucks with narrower beds such as the Ram Box beds. it stands 19.12" tall, is only 47.12 wide and has a footprint of just 12.12" deep leaving room for Ram short bed with the factory installed 5th wheel hitch.

The Travel Trekkers keep their good looks with a quick cleaning using an aerosol furniture polish they look brand new.

page

7

tianfueltanks.com (800) 728-4982

TRAVEL TREKKERTM



IN-BED AUXILIARY FUEL SYSTEMS



Travel Trekker In-Bed Auxiliary Fuel Tank Systems

DESCRIPTION	MAKE	YEARS	PART NUMBER	GALLONS
50 Gallon Travel Trekker Tank System	All	All	5410050	50 (189 L)
40 Gallon Travel Trekker Tank System	All	All	5410040	40 (151 L)

For those needing anchor points, TITAN offers a Tie Down Kit for the Travel Trekker. The kit consists of two, 1240 lbs. steel eye tie down points for fastening cargo.

Those in the need of added security, TITAN offers a Locking Fuel Cap for the Travel Trekker.

TRAVEL TREKKERTM ACCESSORIES

DESCRIPTION	MAKE	YEARS	PART NUMBER
Tie Down Kit	All	All	9901670
Locking Fuel Cap	All	All	9901750

SPARE TIRE AUXILIARY FUEL SYSTEM



TITAN's™ patented Spare Tire Auxiliary Fuel System (STAFS) puts an additional 30 gallons of fuel at your fingertips. This innovative system is designed to repurpose the space commonly used to stow a vehicle's spare tire. Its under-body location means it has no impact on the truck bed's cargo space. In many cases where aftermarket custom wheels and tires are installed on a vehicle, the original equipment spare cannot be used. TITAN's™ Spare Tire Auxiliary Fuel System provides an underbody fuel solution to trucks of any cab type (regular, extended or crew) or bed length.

Spare Tire Auxiliary Fuel System for Diesel Vehicles with Pickup Beds

MAKE	MODELS	CAB TYPE	BED LENGTH	YEARS	GALLONS	PART NUMBER
RAM	2500 & 3500	All	All	2003-2012	30 (114 L)	4030203
RAM	2500 & 3500	All	All	2013-2019	30 (114 L)	4030213
Ford	F250, F350 & F450	All	All	1999-2007	30 (114 L)	4020299
Ford	F250, F350 & F450	All	All	2008-2016	30 (114 L)	4020208
GM	2500 & 3500	All	All	2001-2010	30 (114 L)	4010201
GM	2500 & 3500	All	All	2011-2019	30 (114 L)	4010211

Spare Tire Optional Equipment

PART NUMBER	DESCRIPTION	NOTES
0101310	Spare Tire LB7 Kit	Required on all 2001 to 2003 GM trucks. Required on 2004 models if the eighth character in the VIN is a "1".

Notes

- TITAN's™ Spare Tire Auxiliary Fuel System must only be installed on vehicles equipped with heavy Class V (5) hitches, which are standard on most full-sized diesel pickups.
- Every Spare Tire Auxiliary Fuel System comes complete with TITAN's™ Electronic Controller, fuel pump, brushed aluminum fuel door and filler kit.
- Optional Spare Tire Buddy available to securely mount the spare tire to the truck bed rails.

60 GALLON IN-BED AUXILIARY FUEL SYSTEM



Mounting Hardware with Tie Downs



TITAN's™ innovative patented product gives you the advantages of advanced design and materials. All TITAN™ in-bed tanks are manufactured from 1/4" thick, ultra durable cross-linked polymer to resist condensation and provide a light weight, corrosion proof tank that lasts. Tanks come complete with heavy duty mounting hardware with tie downs, a free spinning locking cap, fuel gauge and built in lifting handles. The 60 Gallon Auxiliary System meets DOT FMCSA Title 49 Requirements.

Premium In-Bed Diesel Fuel Systems

DESCRIPTION	MAKE	YEARS	PART NUMBER	GALLONS
In-Bed Diesel Auxiliary Fuel Tank with TITAN™ Electronic Controller and Pump Transfer System	All	All	5410060	60 (227 L)
In-Bed Diesel Transfer Tank with 12 Volt Pump and Nozzle	All	All	5310060	60 (227 L)

In-Bed Fuel Tank Optional Equipment

PART NUMBER	DESCRIPTION	NOTES
9991150	Large Aluminum Diamond Plate Toolbox	Locking tool box with a 6.8 cu. ft. capacity. Bolts to the top of the TITAN 60 gallon In-Bed Fuel Tank. Works with the Transfer Pump Kit when installed.
9991160	Large Black Diamond Plate Aluminum Toolbox	Locking tool box with a 6.8 cu. ft. capacity. Bolts to the top of the TITAN 60 gallon In-Bed Fuel Tank. Works with the Transfer Pump Kit when installed.
9901170	Compact Aluminum Diamond Plate Toolbox	Locking tool box with a 3.4 cu. ft. capacity. Bolts to the top of the TITAN 60 gallon In-Bed Fuel Tank.
9901180	Compact Black Diamond Plate Aluminum Toolbox	Locking tool box with a 3.4 cu. ft. capacity. Bolts to the top of the TITAN 60 gallon In-Bed Fuel Tank.

CAB & CHASSIS AFTER-AXLE FUEL TANKS



Direct replacement (size and capacity), extra heavy duty, frame mounted fuel tanks for Ford vehicles with after-axle mounted fuel tanks in E and F Cab & Chassis vehicles. These tanks solve the problem of OEM tank lining failures and corrosion issues!
For diesel fueled vehicles only.

Utility Tanks for Ford Diesel Cab and Chassis Vehicles

MODELS	TANK TYPE	YEARS	GALLONS	PART NUMBER
F350, F450 & F550 Cab and Chassis	After-Axle, Multi-Model Replacement	1999-2010	40 (151 L)	8020099
F350 Cab and Chassis trucks with a 37 Gallon fuel tank	After-Axle Replacement	1999-2000	40 (151 L)	8020099A
Econoline Diesel Cut-Away Cab and Chassis	After-Axle Replacement	1999-2010	55 (208 L)	8020199
F350, F450 & F550 Cab and Chassis	After-Axle, Multi-Model Replacement	2011-2016	40 (151 L)	8020011

Utility Tank Optional Equipment

PART NUMBER	DESCRIPTION	NOTES
0299010	Ford, Multi-Model, PS-191 Adaption Kit	Components to adapt PS-191 sending units to a 8020099 tank. These components change an 8020099 tank to an 802009A tank.
0201280	Galvanized Top Strap for Ford 8020099 Tank	Replacement strap for the 8020099 and 8020099A Ford tanks. Constructed of 16 ga. galvanized steel. Two are required per tank.

CAB & CHASSIS AFTER AXLE FUEL TANKS



New trucks means new tanks. We offer two different tanks for the 2017 to current Ford Cab & Chassis trucks.

The first is a revolutionary new Auxiliary Tank System. the system includes a 40 gallon tank that mounts at the rear of the chassis where it feeds fuel to the main tank as you drive down the road. Part# 4020217

The second tank is a 40 gallon rear mounted, after axle tank that replaces the stock tank mounted in the middle of the truck which limits placement of additional equipment and accessories. Part# 8020017

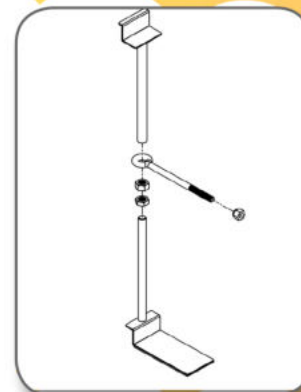
Utility Tanks for Ford Diesel Cab and Chassis Vehicles

MODELS	TANK TYPE	YEARS	GALLONS	PART NUMBER
F350, F450 & F550 Cab and Chassis	After-Axle Auxiliary Fuel Tank System	2017-2019	40 (151 L)	4020217
F350, F450 & F550 Cab and Chassis	After-Axle Replacement	2017-2019	40 (151 L)	8020017

ACCESSORIES AND SHOP EQUIPMENT

TITAN™ Spare Tire Buddy

Securely relocate most any size tire and mount it to the truck bed rails. This simple system (shown above) requires only two wrenches for installation with no hole drilling required. This easy to install mount can be locked to provide needed security. Eliminate crawling under your truck for the spare with the Spare Tire Buddy!
U.S. Patent No. 6,039,226

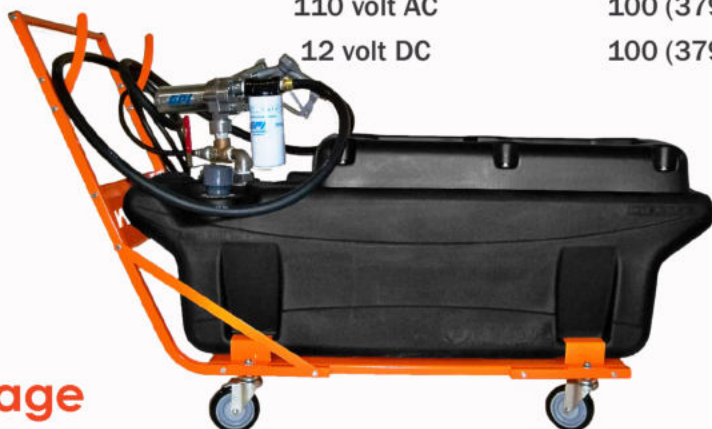


PART NUMBER	FITMENT	DESCRIPTION
9901330	All Standard Truck Beds	TITAN's™ Spare Tire Buddy

TITAN™ Fuel Caddy

TITAN's™ Fuel Caddy makes fast, easy work of hard, messy jobs! This shop tool allows you to transfer fuel from its holding tank to a vehicle, from vehicle to vehicle, or from vehicle to holding tank. It is equipped with a quality pump in either 110 volt AC or 12 volt DC with a pumping capacity of up to 10 gallons per minute. The pump is equipped with a water and particulate filter system, and includes all required hoses and fittings.

VERSION	HOLDING TANK GALLONS	PART NUMBER
110 volt AC	60 (227 L)	6000001
12 volt DC	60 (227 L)	6000002
110 volt AC	100 (379 L)	6000003
12 volt DC	100 (379 L)	6000004



IN-CAB ELECTRONIC CONTROLLER FOR IN-BED AND STAFS SYSTEMS

The In-Cab Electronic Controller comes with the following products;
Travel Trekker systems, Spare Tire Aux Systems/STAFS,
60 Gallon In-Bed Aux system and the Cab & Chassis Aux system



*Shown Actual Size

Pump Indicator

Red LED shows when fuel is being transferred.

On/Off Button

With a simple press of the button, fuel begins transferring from the auxiliary tank. The pump will run until approximately 5 gallons have been transferred, then the controller will automatically shut off the pump. The pump can also be shut off manually with a second button press. This button also acts as a dimmer switch. Hold the button for two seconds to dim all of the lighting. When dim, the brightness can be increased by holding the button a second time.

Fuel Level Indicator

Orange LEDs display the level of fuel in the auxiliary fuel tank. When the tank is empty the controller will automatically shut off the pump.

TITAN's™ Electronic Controller provides complete fuel control with a single touch. The operator has complete and total flexibility in managing how extra fuel capacity is used. The fuel can be held in reserve or transferred on-the-go as the need arises. The controller's illuminated user interface indicates the tank's fuel level and features a single-touch button that starts the fuel transfer sequence. With one touch, fuel begins transferring from the auxiliary tank to the vehicle's primary fuel tank and continues to flow until it is automatically stopped by the controller or the button is touched again. A great feature is that TITAN's Controller only requires a power wire and a ground. It does not invade the trucks wiring harness or computers.

Notes:

- Every Spare Tire Auxiliary Fuel System (STAFS) comes complete with TITAN's™ Electronic Controller
- Premium TITAN™ In-Bed Diesel Auxiliary Fuel Tanks come with TITAN's™ Electronic Controller. Transfer tanks do not include a controller.



page



TITAN Fuel Tanks

5020 N Haroldsen Dr.
P.O. Box 2225
Idaho Falls, ID 83403
(800)728-4982
titanfueltanks.com

©Supertanks, LLC 2020

Printed in the U.S.A.

Applies to all products Within Catalog;



WARNING; Cancer and
Reproductive Harm.
www.p65warnings.ca.gov