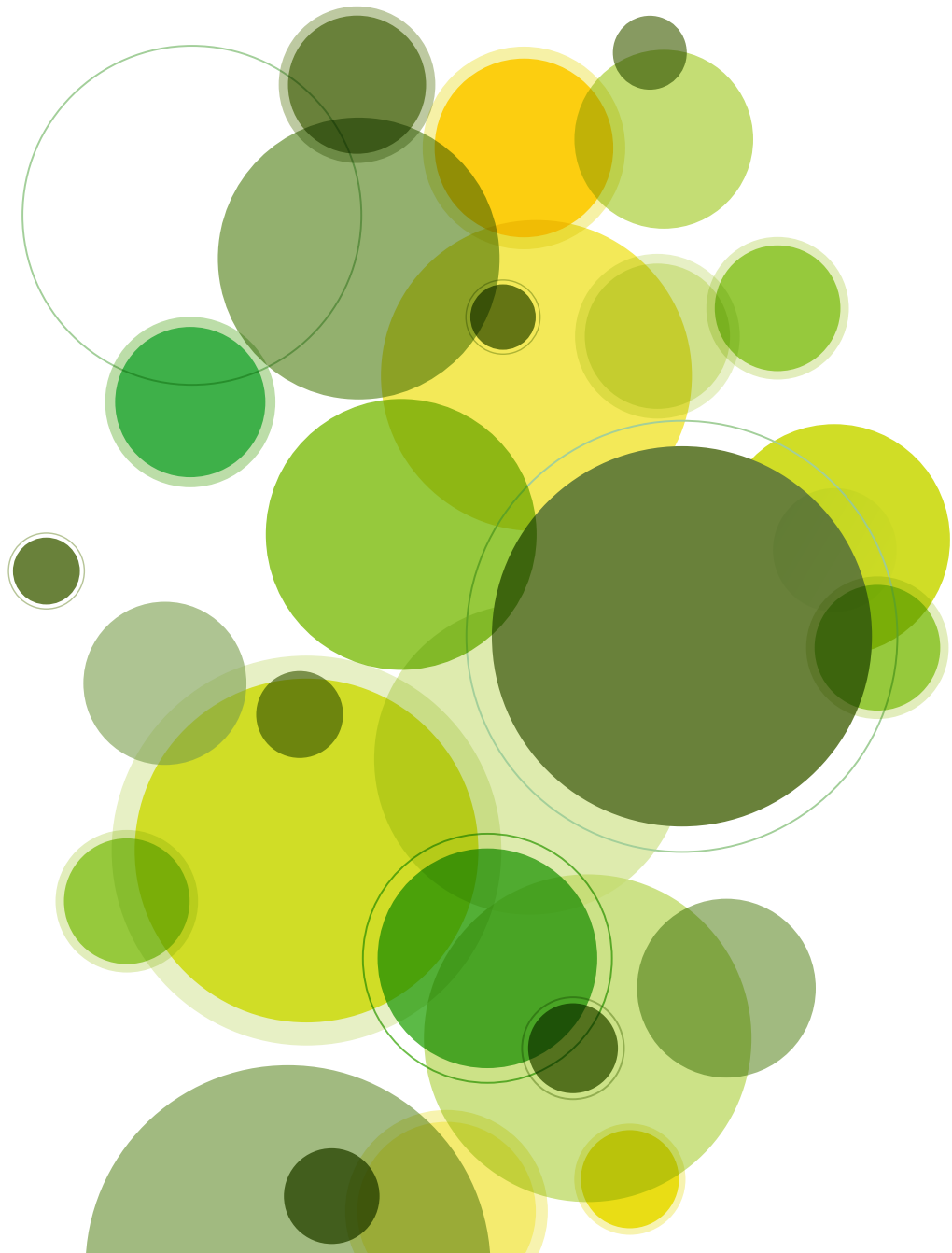




Graymills

PARTS WASHERS

manual | immersion | ultrasonic
spray cabinet | accessories | cleaning fluids

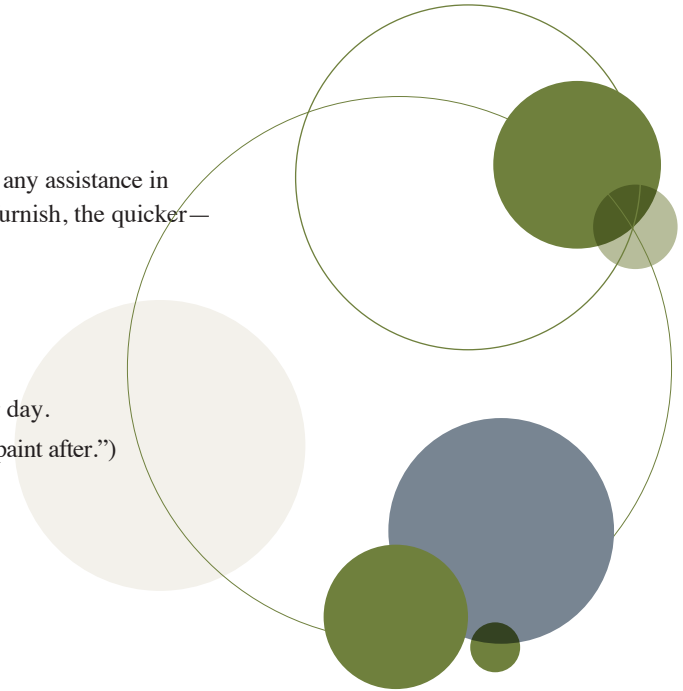


SELECTION GUIDE

SELECTING THE RIGHT PARTS WASHER

Both your Graymills™ distributor and our factory staff are prepared to offer any assistance in selecting your parts cleaner. The more of the following information you furnish, the quicker—and more precisely—the appropriate parts washer can be selected.

- Soils to be removed.
- Current cleaning method used.
- Material(s) from which your parts are manufactured.
- Size, weight, configuration and quantity of the parts to be cleaned per day.
- Operations immediately before and after cleaning. (e.g., “machine before/paint after.”)
- Preferred method of handling: manual or automatic.
- Single or multi-step cleaning required.
- Type of cleaning fluid: solvent or water-based.



CHOOSING YOUR CLEANING ACTION

SOAK	BRUSH	DIRECTED STREAM	HIGH PRESSURE SPRAY
Soaking is the simplest, least aggressive cleaning action. It is more effective with longer immersion time. This cleaning action is applicable where soils are easily removed and where low equipment cost is important.	Manual brushing is used as a supplement to other cleaning actions. This method is helpful in removing stubborn soils in hard to reach places. An assortment of parts cleaning brushes is available in the ACCESSORIES section. See accessories page 28-29.	A flexible hose is used to direct a flushing stream of low pressure cleaning fluid directly at the soiled part. This cleaning action is particularly effective for flushing parts when brushing. For maximum results, the directed stream action can be used in combination with other cleaning actions. Some models feature a second hose with a pistol grip nozzle, which provides an adjustable flushing spray.	Quick and effective cleaning is accomplished by a powerful spray of heated, water-based cleaning solution. The high pressure spray blasts away the toughest deposits without damaging precision parts. (Water based solution only.)
TURBO FLUID AGITATION	LIFT PLATFORM AGITATION	HEATED	ULTRASONICS
This cleaning action is a result of the constant movement of the solution through and around the soiled parts. It provides faster cleaning than manual applications. A variety of pump and air circulated systems are available for fluid agitation.	A “scrubbing” action is achieved by continually moving the parts vertically through the cleaning fluid. The motion is accomplished by a pneumatically operated platform in the tank. The system is automatic. The cleaning action is intensified when used in combination with Turbo fluid agitation (see page 17). It is ideally suited for a wide range of cleaning tasks.	The effectiveness of water based cleaning solutions increases dramatically as the temperature increases. The optimum recommended temperature is governed by the equipment and the particular detergent used. (Water based solution only.)	Ultrasonic systems work by inducing controlled cavitation in the cleaning fluid. Cavitation bubbles form and collapse suddenly, releasing tremendous energy against the surfaces of objects immersed in the tank. This action “scrubs” hard to remove soils from the parts. (Water based solution only.)

PAGE	AVAILABLE CLEANING ACTION	SOAK	BRUSH	DIRECTED STREAM	HIGH PRESSURE SPRAY	IN-TANK FLUID AGITATION	LIFT PLATFORM AGITATION	HEATED (AQUEOUS ONLY)	ULTRASONICS
MANUAL									
5	H42RN/HK150 FB	✓	★	✓					
6	DM232/236 FB		★	✓					
7	PL36/PL36FB FB	✓	★	✓					
7	PL422	✓	★	✓					
8	Clean-O-Matic™ FB	✓	★	✓		✓			
9	Clean-O-Matic™ FB	✓	★	✓		✓			
10	PH922	✓	✓						
11	BIO922	✓	✓	✓				✓	
IMMERSION									
12	Turbo-Series TR24/36	✓				★		★	
13	Turbo-Series T & GHS	✓				✓		★	
14	TR Series Liftkleen™ TR2420-TR3626	✓				★	✓	★	
15	L-Series Liftkleen™ L36-L84	✓				★	✓	★	
16	Modular Systems	✓	✓	✓		★	✓	★	
17	TR-Series TR24/36	✓				★	✓	★	
18	TL-Series Liftkleen™ TL17(FB)/TLHS18	✓	✓	✓		★	✓	★	
19	L-Series	✓				★		★	
ULTRASONIC									
20	Ultrasonic Intro								
21	Ultrasonic Benchtop BTV/BTU	✓	★					✓	✓
22	SonicMax Console	✓	★					✓	✓
23	Sonic Liftkleen™ TUSR24/36	✓	★				✓	✓	✓
24	SuperSonic TUS3725/TS3725	✓	★				✓	✓	✓
25	SuperSonic TUS3725/TS3725	✓	★				✓	✓	✓
SPRAY CABINET									
26	Tempest™ 10/20		★		✓			✓	
ACCESSORIES									
27	Turbo Boost/OSEP								
28	Accessories								
29	Accessories								
CLEANING FLUIDS									
30	Cleaning Fluids								
31	Cleaning Fluids								

✓ STANDARD

★ OPTIONAL

FB FREEBOARD



Units designated with the "FB" symbol are designed to reduce VOC emissions by meeting environmental regulations requiring a Freeboard ratio of 0.75. Consult your local environmental agency for specific requirements in your area.



Many of our products have been ETL certified to meet applicable U/L and CSA standards. Look for this symbol by the units.

WHY GRAYMILLS?

There are plenty of companies that will sell you a parts washer, so why should you choose Graymills? We could talk about our state-of-the-art manufacturing facility in Chicago, but what you really care about is how we can make you, and your company, more productive. That's a three step process.



Confusion-Free

Picking the best parts washer for your needs can be a confusing process. There are hundreds of options available. With its unmatched selection of products, Graymills offers you a "Total Cleaning Perspective" others can't rival. Unlike companies with limited selection, who will simply steer you toward what they have to offer, we can actually help you select the proper equipment. And with our decades of experience in the industry, we speak your language and understand your needs.



Risk-Free

Would you buy a car without a test drive or at least kicking the tires a bit? If not, then why would you invest a large sum of money in equipment based on promises in a catalog? With Graymills, there is no need to risk it. Our complementary cleaning tests allow you to try before you buy. Why risk something unproven when you can be sure what you ordered will work as you hope?



Worry-Free

"No Confusion" and "No Risk" means you can relax. By working together and talking through your needs, wants and budget, you'll pick the right equipment. And we'll stand behind it with a generous warranty. Our products are built to last and we're proud of that fact. Now you can get back to what you do best.

At Graymills, we love talking to our customers. If you have questions, call us at 888-472-9645 or 773-248-6825. Get what you need. Call Graymills.



Craig Shields, *President*

CUSTOM SYSTEMS

We will customize a standard model or build you a special. Just tell us about your cleaning application.

Look through our catalog and notice the wide range of standard models, from the 2 1/2 gallons freestanding unit to the 600 gallon Liftkleen™. Also notice the number of options available, which include stainless steel tanks and pumps, air powered motors, turbo pump agitation, lift platform agitation and ultrasonics. Chances are one of these models and its options will meet your cleaning applications.

But maybe your cleaning needs run to the unusual. Does your system require portability, batch cleaning or multiple-stage processing? Or do you desire a single or multi-tank system? We'll design and build a system for you whether it means simply altering a standard model or creating a one-of-a-kind special. Just contact your Graymills distributor or contact the factory by phone, fax, or email.

For more information 777-248-6825 Fax: 773-477-8673

PARTS WASHERS DESIGNED AND BUILT BY GRAYMILLS FOR:

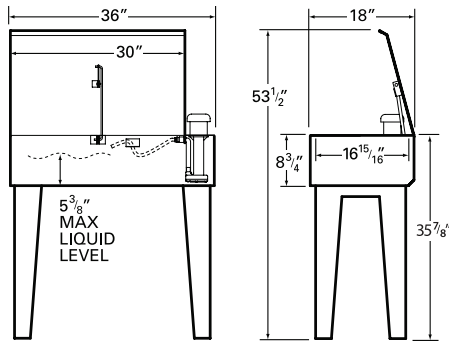
AUTOMOTIVE/FLEET INDUSTRY	AEROSPACE & MEDICAL INDUSTRIES	AGRICULTURE & HEAVY EQUIPMENT	FASTENERS & SMALL COMPONENTS
Clean engine, transmission and various other mechanical components for production/service/repair/rebuild.	Wash systems for high-precision cleaning applications.	Clean engine, transmission and various other mechanical and hydraulic components for production/service/repair/rebuild.	Immersion cleaning for small precision products consisting of stacked and/or nested components.
PETROCHEMICAL INDUSTRY	PRINTING & PAPER PROCESSING INDUSTRY	ENVIRONMENTAL ALTERNATIVES	GENERAL INDUSTRIAL
Oil field equipment service/repair/rebuild.	Press parts & anilox roll cleaning and maintenance.	Equipment specifically designed for "green cleaning" using alternative solutions to petroleum distillates and/or harsh chemistries.	Dip, Coat, Corrosion Removal, Passivation, and other General Manufacturing and Repair/Service.

ECONO-MODELS



HK150

HK150



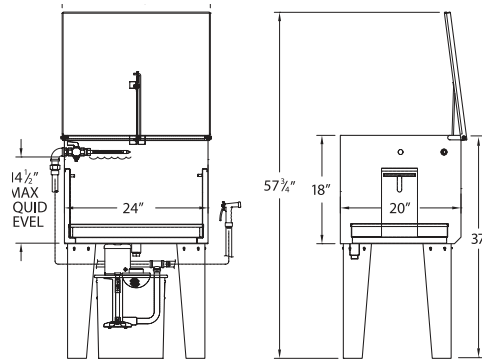
PROFESSIONAL GRADE

PUMPING SYSTEM ONLY AVAILABLE ON H42RN



H42RN/2R

H42RN



Free-standing Parts Washer

- Abrasive-resistant pump
- 400 GPH
- Flexible Stay-Put metal flush hose
- Filtration system
- Removable internal work shelf
- Bottom drain
- Fusible safety link
- 16 gauge steel link
- Removable legs
- OPTIONAL**
- External drain shelf

Flo-Bac™ Parts Washer/Soak Tank

- Abrasive-resistant pump
- 720 GPH
- Flexible Stay-Put metal flush hose
- Removable internal work shelf
- Bottom drain
- Fusible safety link
- 16 gauge steel link
- Freeboard compliant
- OPTIONAL**
- External drain shelf

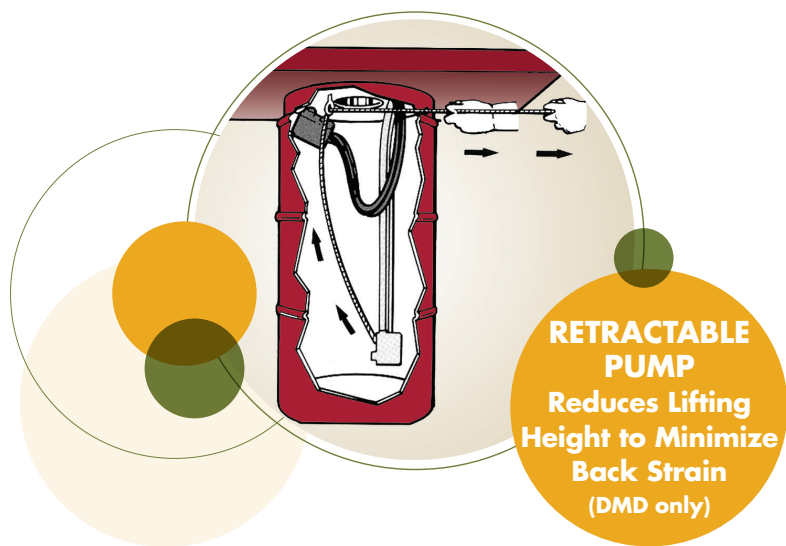
ECONO-MODELS COMPARISON

MODEL NO.	OPERATING FLUID CAP.	MOTOR	TYPE
HK150	2 1/2-5 gal	115V, 60/50 Hz, 1 Ph	FREE-STANDING
H42RN	3-5 gal	115V, 60/50 Hz, 1 Ph	FREE-STANDING
2R	25 gal	N/A	SOAK TANK

THE H42RN IS FREEBOARD COMPLIANT AND ALL 3 MODELS ARE cETLus CERTIFIED

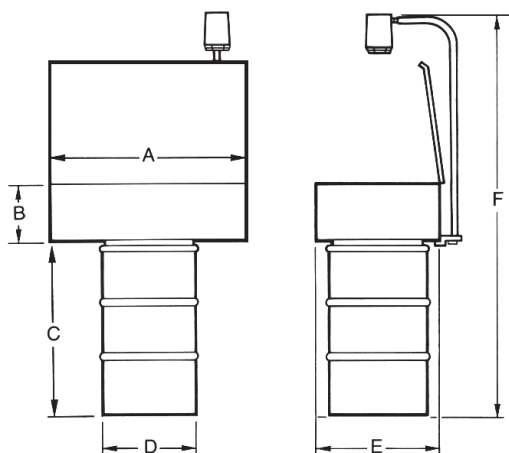


DRUM MOUNT



DMD232

DM232/236



Recirculating Parts Washer

- Abrasive resistant 170 GPH pump
- Reusable nylon filter
- Flexible Stay-Put metal flush hose
- Metal drain drawer
- 16 gauge steel tank
- Lift off sink
- 16 & 30 gallon sizes
- Fusible safety link
- Freeboard Compliant

Deluxe Models

- Patented retractable pump
- Worklight

DRUM MOUNT COMPARISON

MODEL NO.	A	B	C	D	E	F
DMD/DMS 232	32"	8 3/4"	28 1/2"	14 1/2"	18"	65"
DMD/DMS 236	36"	8 3/4"	30 3/4"	19 1/4"	20"	67 1/8"

MODEL NO.	OPERATING FLUID CAP.	DRUM	MOTOR
DMD/DMS 232	5-10 gal	16 gal	115V, 60 Hz, 1 Ph
DMD/DMS 236	10-20 gal	30 gal	115V, 60 Hz, 1 Ph

ALL DRUM MOUNT UNITS ARE FREEBOARD COMPLIANT. ALL MODELS ARE cETLus CERTIFIED.



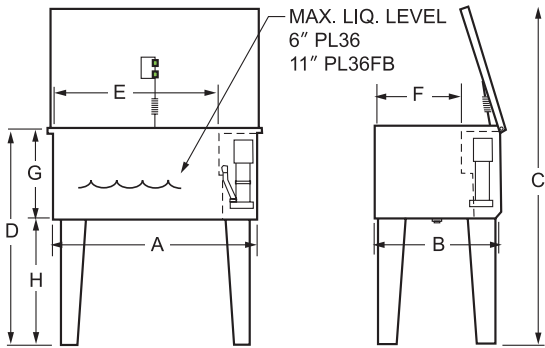
HANDI-KLEEN™

3
MODEL
STYLES

SCRUB
STATION
AND SOAK
TANK



PL36/PL36FB

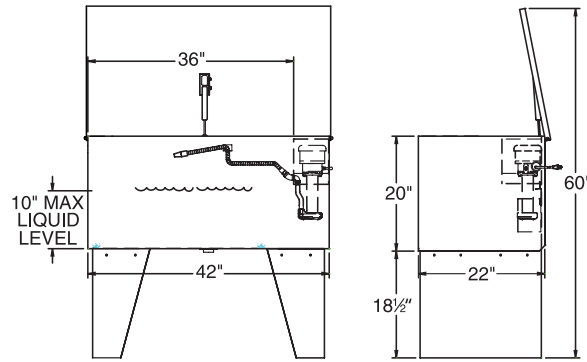


Solvent Scrub Station/Soak Tank

- Filter and sludge collector basket
- Flexible Stay-Put metal flush hose
- 16/18 gauge steel
- Bottom drain
- Small parts basket
- Fusible safety link
- Removable work shelf

- PL36 add'l features:**
- 400 GPH abrasive resistant pump
- PL36FB add'l features:**
- Abrasive resistant 170 GPH pump
 - Freeboard Compliant
- OPTIONAL**
- External drain shelf

PL422



Increased Capacity/Working Area

- Filter and sludge collector basket
- Flexible Stay-Put metal flush hose
- 16/18 gauge steel
- Bottom drain
- Small parts basket
- Fusible safety link

- 400 GPH
 - Two-piece sliding, solid metal work shelf
- OPTIONAL**
- Removable soak/sludge trays
 - External drain shelf

HANDI-KLEEN™ COMPARISON

MODEL NO.	A	B	C	D	E	F	G	H
PL36	36"	22"	60"	38 1/2"	29 1/2"	15 1/2"	16"	22 1/2"
PL36FB	36"	22"	57"	36"	32"	21"	27 1/2"	8 1/2"

MODEL NO.	OPERATING FLUID CAP.	MOTOR
PL36	15-20 gal	115V, 60/50 Hz, 1 Ph
PL36FB	20-40 gal	115V, 60/50 Hz, 1 Ph
PL422	25-40 gal	115V, 60/50 Hz, 1 Ph

PL36FB IS FREEBOARD COMPLIANT.
ALL MODELS ARE cETLus CERTIFIED.



CLEAN-O-MATIC™



SPRAY
NOZZLE

3-WAY
CLEANING
ACTION

Included In All Clean-O-Matic™ Models

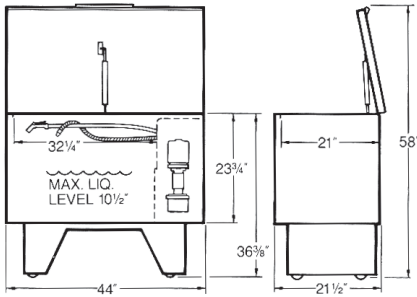
- A** Pistol grip spray nozzle
- B** Extra long Stay-Put flexible metal flush hose
- C** Adjustable bi-level work shelves
- D** Safety lid
- E** Three-way cleaning action selector valve
- F** Washable 40 mesh screen solvent filter
- G** Hydro-Jet Manifold in-tank agitation
- H** Drain plug
- I** Optional - removable soak/sludge trays
- J** Rugged 16 gauge powder-coated steel construction
- K** Abrasive-resistant pump

THE INDUSTRY STANDARD FOR MORE THAN 50 YEARS

Ruggedly constructed for years of trouble-free solvent cleaning service. These feature-packed models offer a variety of design elements to make your cleaning tasks quicker and more efficient while remaining flexible enough to suit most cleaning challenges. All **Clean-O-Matics** are certified cETLus.

The 5 **Clean-O-Matic™** models progress in size and power from the 300-A, with a 1/8 horsepower pump and 42-gallon capacity, to the 902-A, with two 1/3 horsepower pumps and 117-gallon capacity.

300-A 500-A



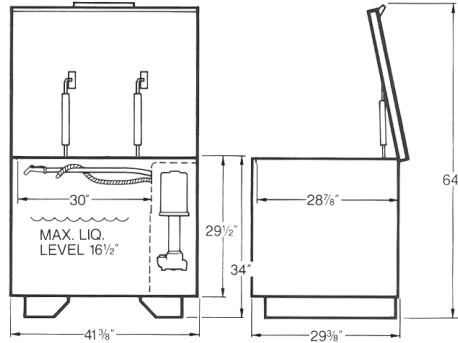
MODEL NO: 300-A / 500-A

The maintenance and repair shop standard

Dimensions:
44"L x 21"W x 23-3/4"H
work space

42 gal max cap. 1/8 HP 300-A 1/3 HP 500-A

800-A



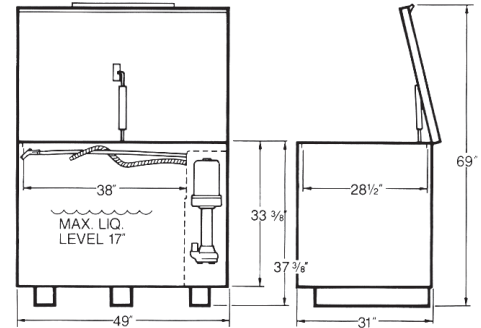
MODEL NO: 800-A

All the operating features of the 500-A in a tank with twice the fluid capacity

Dimensions:
41-3/8"L x 28-7/8"W x 29-1/2"H
work space

85 gal max cap. 1/3 HP

900-A 902-A



MODEL NO: 900-A / 902-A

These large units handle parts like engine blocks, transmissions and compressors; 902-A has two 1/3 HP pumps

Dimensions:
38"L x 28-1/2"W x 33-3/8"H
work space

117 gal max cap. 1/3 HP

CLEAN-O-MATIC™ COMPARISON

MODEL NO.	OPERATING FLUID CAP.	MOTOR	PUMP
300-A	16-42 gal	1/8 HP, 115V, 60/50 Hz, 1 Ph	Graymills Superflo™ pump, 1000 GPH , in-tank fluid agitation
500-A	16-42 gal	1/3 HP, 115V, 60/50 Hz, 1 Ph	Graymills Superflo™ pump, 2400 GPH, Hydro-Jet Manifold in-tank fluid agitation
800-A	50-85 gal	1/3 HP, 115V, 60/50 Hz, 1 Ph	Graymills Superflo™ pump, 2400 GPH, Hydro-Jet Manifold in-tank fluid agitation
900-A	50-117 gal	1/3 HP, 115V, 60/50 Hz, 1 Ph	Graymills Superflo™ pump, 2400 GPH, Hydro-Jet Manifold in-tank fluid agitation
902-A	50-117 gal	1/3 HP, 115V, 60/50 Hz, 1 Ph	Two Graymills Superflo™ pumps, 2400 GPH each, Dual Hydro-Jet Manifold in-tank fluid agitation—operate independently or together

ALL 5 CLEAN-O-MATIC™ MODELS
FREEBOARD COMPLIANT
AND cETLus CERTIFIED.



AQUEOUS



SINK TO SOAK CAPABILITY



STANDARD FILTRATION

GFCI AND LOW WATER PROTECTION

ON-SITE CLEANING AND ENVIRONMENTALLY FRIENDLY

Easy to use and maintain, the modular PH922 is a rugged aqueous parts washer for cleaning challenging parts throughout your plant. Sink is designed for quick on-site cleaning and can be used as soak tank.

The new design of Graymills' thermoplastic parts washers has integrated the sink and holding tank for optimal stability and efficient cleaning. Unlike most job site parts washers, the PH922 has the ability to easily convert from soak to sink and back again. The user can use the drain plug in the center of the basin to capture soaking fluid and let the pump run, ensuring continuous fluid movement, filtration and heat. The overflow outlets in the sink let the fluid circulate back into the base without risk of overflow and the wide base design maintains a stable and safe working environment.

DESCRIPTION	PH922
Overall Dimensions	43" x 28½" x 38"
Working space	35"L x 21.5"W x 15"D
Parts load	300 lb./ 150 lb. on shelf
Soaking depth	9" maximum
Operating fluid capacity	30 gal.
Pump	Submersible
GPH	300
Horsepower	1/40
Heater	1.4 kW
Operating temperature	Factory set at 110°F (44°C)
Electric configuration	115V, 1 Phase, 60 Hertz

THE PH922 IS
cETL CERTIFIED.



PH922

Standard Features

- Thermostatically-controlled heater
- Corrosion-resistant thermoplastic construction guaranteed 5 years
- Flexible Stay-Put nozzle
- Low liquid level shut off
- GFCI shut down
- Filtration by strainer and 75 micron filter cartridge
- 9" soak tank
- Removeable stainless steel work shelf
- Easily transportable by forklift or pallet jack
- Unique Sink-to-Soak capability that will never overflow
- cETL certified
- OPTIONAL**
- Worklight
- Caster cart

BIOMATICS™

BIOREMEDIATION PROVIDES NON-HAZARDOUS, SELF-SUSTAINING, ON-SITE CLEANING

Easy to use and maintain, the modular BIO922 is designed for quick on-site cleaning of shop parts.

Hydrocarbon-busting microbes first gained recognition over thirty years ago and again most recently when they were used to safely assist the cleanup of the Deepwater Horizon disaster in 2010. The microbes used in the Biomatic™ System are very similar to their now-famous cousins!

The simplest explanation of how the Biomatic™ parts washer works is: the Super Biotene® cleaning solution cleans the parts while the active microbial action cleans the fluid. This bioremediation process takes place within the parts washer solution reservoir. The microbes work by actually breaking down the hydrocarbon contaminants into their component parts—water (H2O) and carbon dioxide (CO2) leaving the Biotene cleaning solution free of oily, greasy contamination that can affect clean parts.

When parts are placed in the parts cleaner, the heated Super Biotene® lifts the grease and grime from the part. A Flexible Stay-Put nozzle and Flow-Thru brush aid the solution in the removal of especially stubborn oil, grease, and other contaminants.

The microbes in the system go to work converting the grease and oil in the reservoir fluid into carbon dioxide and water. The remediated solution then passes through a 150 micron filter before being reused in the parts washing process.

Comparable microbes have been successfully used in petrochemical and chemical plants, refineries, food processing plants, restaurants, marine barge bilges, machine shop parts washers, truck washers, wood treating plants, ground water remediation and septic tanks.

THE BIOMATIC™ SYSTEM:

- Degrades oil, grease and hydrocarbons
- Self-sustaining
- Harmless byproducts
- Solves waste disposal problems

DESCRIPTION	BIO922
Overall Dimensions	43" x 28½" x 38"
Working space	35"L x 21.5"W x 15"D
Parts load	300 lb./ 150 lb. on shelf
Soaking depth	9" maximum
Operating fluid capacity	30 gal.
Pump	Submersible
GPH	300
Horsepower	1/40
Heater	1.4 kW
Operating temperature	Factory set at 110°F (44°C)
Electric configuration	115V, 1 Phase, 60 Hertz

SELF CLEANING

LOW COST OF OPERATION

OPTIONAL WORKLIGHT & CASTER CART



BIO922

Standard Features

- Thermostatically-controlled heater
- On-site cleaning and environmentally friendly
- Flexible Stay-Put nozzle
- Low liquid level shut off
- GFCI shut down
- Filtration by strainer and 150 micron filter cartridge
- 9" soak tank
- Removeable stainless steel work shelf
- Easily transportable by forklift or pallet jack
- Unique Sink-to-Soak capability that will never overflow
- cETL certified
- OPTIONAL**
- Worklight
- Caster cart

THE BIO922 IS cETL CERTIFIED.



TURBO ACTION

TURBO TR24/TR36



TR24

THE PERFECT SOLUTION FOR HANDS-OFF CLEANING

The **Turbo-Action Series** from Graymills is the perfect solution for hands-off, immersion cleaning required for challenging parts cleaning applications. **Turbo-Action** total immersion parts cleaners convert the jet stream from Graymills Superflo™ pumps into powerful, hands-off fluid action that gets parts cleaner, faster without manual handling or scrubbing. Unlike spray cabinet type cleaners that employ spray nozzles, total immersion cleaners bring cleaning action to every external and internal surface—even blind holes. **Turbo-Action** units scour and flush parts clean and are offered in both solvent and heated aqueous versions, with pumps that provide up to 10,000 GPH. The heated aqueous units come standard with energy-saving insulation and corrosion-resistant, insulated stainless steel-lined lids.

A variety of tank sizes and options, including stainless steel tanks, filtration systems and baskets, ensures the **Turbo-Action Series** can handle your largest cleaning task, including cylinder heads, transmission housings, heavy castings, and complex parts.

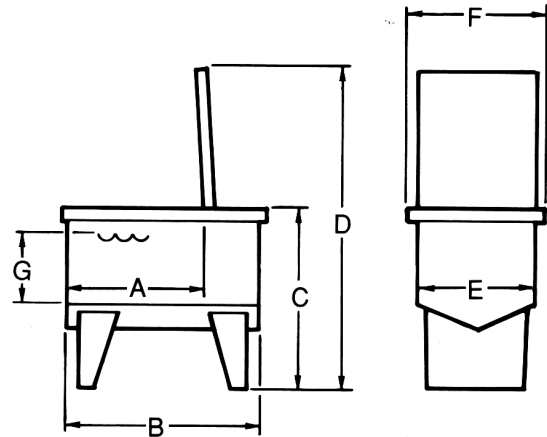
Included In All Turbo Action Models

- Hands off cleaning
- Easy fluid change-out
- Durable powder coated exteriors
- Solvent or aqueous
- Fusible safety link
- Grid platform (TR24/TR36 only)
- Sludge trays (T4330-T8430)
- Stainless steel rod grates that can be positioned as needed (GHS only)

OPTIONAL

- Filtration systems
- Stainless steel wetted construction
- Baskets
- Low liquid heater protection
- Thermostatically-controlled heat

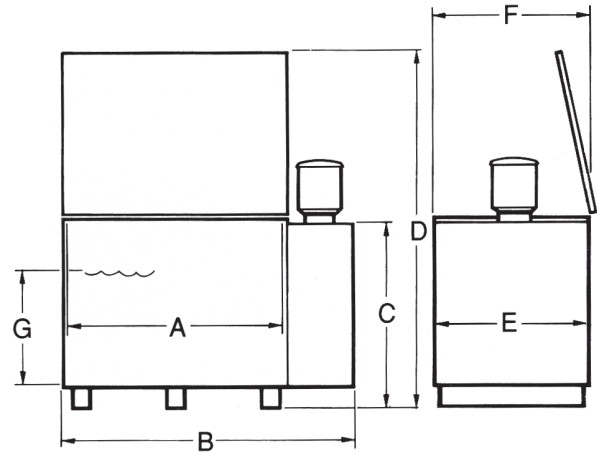
Optional accessories, see pages 28-29



MODEL NO.	A	B	C	D	E	F	G
TR24	25½"	39"	34"	66"	22"	24 ½"	12"
TR36	35½"	50"	34"	75"	27"	29 ½"	18"

DESCRIPTION	TR24	TR36
Immersion Space	24" x 20½" x 12"	34" x 25½" x 18"
Overall Dimensions	39" x 24½" x 66"	51" x 29½" x 75"
Liquid Capacity (gal)	47	118
Motor/Pump (Hp)	½	½
Gallons Per Hour	3000	3000
Voltage	115/230/460V	115/230/460V
Hertz Phase	60/50-1 or 3 Ph	60/50-1 or 3 Ph
Heater for water-based cleaning only 60-180° F	6.75 kW	6.75 kW

TURBO SERIES T & GHS



UNHEATED MILD STEEL TURBO SOAK TANKS

MODEL NO.	A	B	C	D	E	F	G
T4330	39½"	56½"	37"	67"	27½"	30"	23¼"
T5430	49½"	66½"	37"	67"	27½"	30"	23¼"
T6430	59½"	76½"	37"	67"	27½"	30"	23¼"
T7430	69½"	86½"	37"	67"	27½"	30"	23¼"
T8430	83"	96½"	37"	67½"	27½"	30"	23¼"

HEATED STAINLESS STEEL TURBO SOAK TANKS

MODEL NO.	A	B	C	D	E	F	G
GHS4330	42"	60"	37"	72"	30"	43"	23¼"
GHS5430	52"	70"	37"	72"	30"	43"	23¼"
GHS6430	62"	80"	37"	72"	30"	43"	23¼"
GHS7430	72"	113"	37"	72"	30"	43"	23¼"
GHS8430	82"	123"	37"	72"	30"	43"	23¼"

UNHEATED	DESCRIPTION	T4330	T5430	T6430	T7430	T8430
	Immersion Space	39½" x 27½" x 23¼"	49½" x 27½" x 23¼"	59½" x 27½" x 23¼"	69½" x 27½" x 23¼"	83" x 27½" x 23¼"
	Overall Dimensions	56½" x 30" x 67"	66½" x 30" x 67"	76½" x 30" x 67"	86½" x 30" x 67"	96½" x 30" x 67½"
	Liquid Capacity (gal)	142	169	200	231	262
	Motor/Pump (Hp)	1½	1½	1½	1½	1½ (2x)
	Gallons Per Hour	10,000	10,000	10,000	10,000	20,000
	Voltage	230/460V	230/460V	230/460V	230/460V	230/460V
	Hertz Phase	60/50-1 or 3 Ph	60/50-1 or 3 Ph	60/50-1 or 3 Ph	60/50-1 or 3 Ph	60/50-1 or 3 Ph

HEATED AQUEOUS	DESCRIPTION	GHS4330	GHS5430	GHS6430	GHS7430	GHS8430
	Immersion Space	39½" x 26½" x 23¼"	49½" x 26½" x 23¼"	59½" x 26½" x 23¼"	69½" x 26½" x 23¼"	79½" x 26½" x 23¼"
	Overall Dimensions	60" x 43" x 72"	70" x 43" x 72"	80" x 43" x 72"	113" x 43" x 72"	123" x 43" x 72"
	Liquid Capacity (gal)	152	183	213	269	300
	Motor/Pump (Hp)	3	3	3	3 (2x)	3 (2x)
	Gallons Per Hour	12,000	12,000	12,000	24,000	24,000
	Voltage	230/460V	230/460V	230/460V	230/460V	230/460V
	Hertz Phase	3 Phase only	3 Phase only	3 Phase only	3 Phase only	3 Phase only
Heater for water-based cleaning 60°-180°F (15°-82°C)	8.8 kW	8.8 kW	8.8 kW	8.8 kW (2x)	8.8 kW (2x)	

LIFTKLEEN™

3
SERIES

OPTIONAL
STAINLESS
STEEL
PLATFORM
SHOWN



TR-SERIES

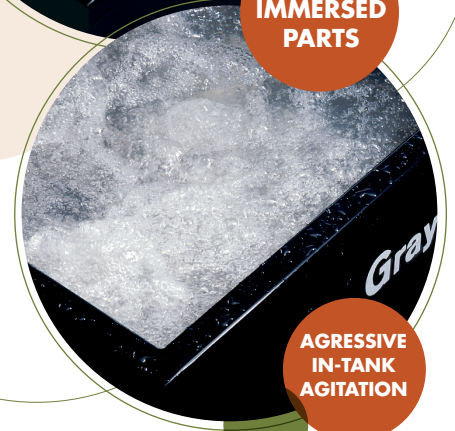
L-SERIES



LOWERS
PARTS



FULLY
IMMERSED
PARTS



AGRESSIVE
IN-TANK
AGITATION

WHY IMMERSION CLEANING IS PREFERRED

Unlike standard spray cabinet washers, immersion cleaning exposes all surfaces of the part, including blind holes and small crevices, to the cleaning solution. By combining hands-off, total immersion cleaning, easy part load/unload, vertical lift platform agitation and optional Graymills Superflo™ pump jet action, the **Liftkleen™** offers the most intensive, efficient immersion cleaning system available. Complex parts, stacked or nested parts are no problem.

The **TR, TL and L Series Liftkleens™** offers a variety of sizes and options, including pump, agitation, ultrasonics, and automatic control of cleaning cycles, that make it the easiest-to-use, large size cleaner on the market. One touch control of the pneumatic air system and electronic controls turns multi-function operation into a simple step.

TR-SERIES

Standard Features

Air-Operated agitating lift platform
Platform agitation or soak capability
Lift mechanism entirely out of tank for long service life
Adjustable platform stroke length and speed
Automatic lid operation

Optional Features

Low liquid heater protection
Auto water fill
6.75 kW Total Heaters
Cycle timer
Multiple Superflo™ fluid agitation pumps (unheated only)
Stainless or mild steel wetted construction
Fiberglass, mild steel, or all stainless steel platform
Numerous filtration options including Turbo Boost Filtration
Oil skimmer
Oil coalescer
Roller platforms/bridges to link units into modular system
Insulation on four sides and lid
Dryer configuration

TL-SERIES

Standard Features

Air-Operated agitating lift platform
Platform agitation or soak capability
Lift mechanism entirely out of tank for long service life
Adjustable platform stroke length and speed
Automatic lid operation

Optional Features

Low liquid heater protection
Auto water fill
8.85 kW Heater
Cycle timer
Multiple Superflo™ fluid agitation pumps (unheated only)
Stainless or mild steel wetted construction
Fiberglass, mild steel, or all stainless steel platform
Numerous filtration options including Turbo Boost Filtration
Oil skimmer
Oil coalescer
Freeboard compliance (TL17)
Insulation on four sides and lid

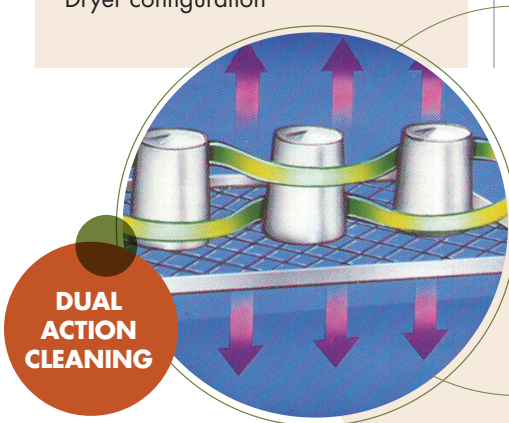
L-SERIES

Standard Features

Air-Operated agitating lift platform
Platform agitation or soak capability
Lift mechanism entirely out of tank for long service life
Adjustable platform stroke length and speed
Automatic lid operation
PLC control

Optional Features

Low liquid heater protection
Auto water fill
Up to 56 kW heat available
Cycle timer
Multiple Superflo™ fluid agitation pumps (unheated only)
Stainless or mild steel wetted construction
Fiberglass, mild steel, or all stainless steel platform
Numerous filtration options including Turbo Boost Filtration
Touch-Screen HMI control including 24/7 timers for heaters
Oil coalescer
Roller platforms/bridges to link units into modular system
Insulation on four sides and lid
Additional lift capacity
Dryer configuration



MODULAR



PRECISION
PRODUCTION
CLEANING

REPOSITION
AS NEEDED

ADD
A STATION
LATER

ECONOMICAL
ALTERNATIVE
TO FULL-
AUTOMATION

TR-SERIES

Endless Combinations

Agitation, ultrasonic and dryer modules available

Solvent and/or Aqueous systems

Multiple sized tanks and configurations

Systems handle light to heavy loads, small to large parts

Independent controls at each station or optional master control for single point automation

Optional roller feature to facilitate movement of parts easily and quickly from one module to the next without lifting

Ergonomic design of powered load and unload within tanks

Graymills' in-house engineers can develop custom solutions for unique problems

SPECIALIZED PRECISION PRODUCTION CLEANING

Graymills offers an unlimited number of combinations to solve cleaning needs. If you don't see what you need in our literature, contact the plant or a representative to begin the discussion of developing the system that meets your specifications and handles the parts you are processing.

Our compact **TR-Series Liftkleens™** consist of two sizes that work for most uses. They have a smaller footprint, liquid capacity and lift capacity. They are widely used for job site "cell" cleaning in manufacturing, automotive and maintenance shops.

Our robust **L-Series Liftkleens™** are for larger parts and heavier components. All lift platform components are outside the tank, eliminating the most common reason for failure in other machines. These larger units are the workhorse in today's manufacturing, maintenance and repair operations.

TR-SERIES

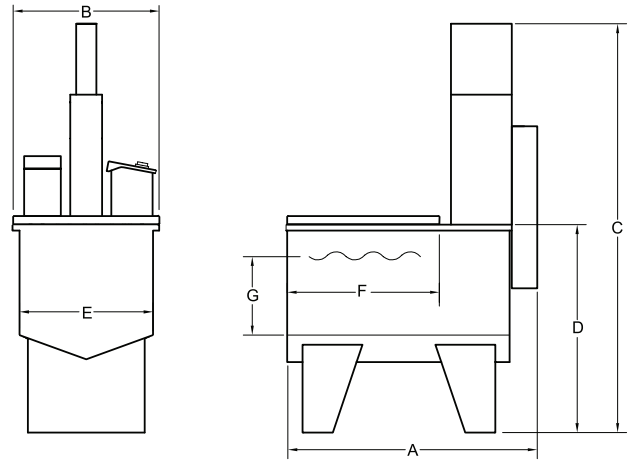
TURBO LIFTKLEEN™ SERIES

The **TURBO Liftkleen™ TR-Series** has been proven by years of tough field use in industrial, maintenance, heavy duty truck and automotive repair facilities. These automatic, agitating, immersion cleaning machines are solidly built for long service life. They are available for both heated aqueous and solvent cleaning applications.

The TR Series has a smaller footprint, liquid capacity and lift capability. They are widely used for job site “cell” cleaning in manufacturing, automotive and maintenance shops. They offer quick, thorough cleaning for smaller parts.

The TR-Series’ small foot print is ideal for cellular manufacturing and can be combined with other units (rinse tanks, dryers) to complete the cleaning process.

TR-SERIES TR24/TR36



MODEL NO.	A	B	C	D	E	F	G
TR24	41½"	24½"	66"	34½"	20½"	24"	12"
TR36	53½"	29½"	75"	34½"	25½"	34"	18"

DESCRIPTION	TR24	TR36
Immersion Space	24" x 20" x 12"	34" x 25½" x 18"
Overall Dimensions	39" x 24½" x 66"	50" x 29" x 75"
Liquid Capacity (gal)	47	118
Platform Dimensions	22" x 19"	32" x 24"
Standard Lift Capacity/PSI	150/90	150/90
Stroke Length	3"	3"
Air Inlet	¼"	¼"
Strokes Per Minute	40-60	40-60
Drain	2"	2"
Automatic Lid	Standard	Standard
OPTIONS	TR24	TR36
Pump Agitation Horsepower	½"	½"
Gallons per Hour	3,000	3,000
Voltage Options	115V/230V/460V	115V/230V/460V
Hertz Phase	60-1 or 3	60-1 or 3
Heater for water-based cleaning only 60-180° F	6.75kW	6.75kW
Roller Platform	*	*
Filtration System	*	*

* Available on this model, consult Graymills price list for specs

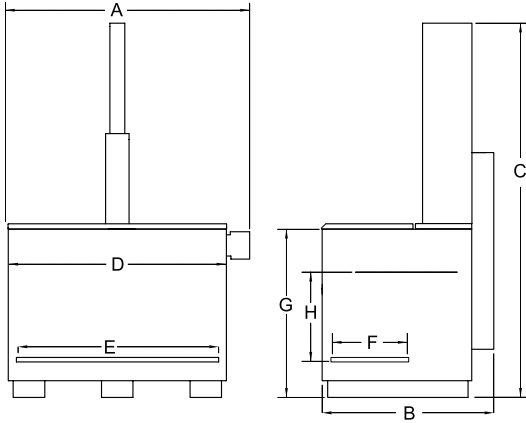
Special Options

- Electric heat
- Roller platform
- High power in-tank fluid agitation
- Turbo-boost filtration system (pg 27)
- Stainless steel interior
- Adjustable stroke frequency
- Low water heater protection
- Oil removal
- Cycle timer
- Filtration



TL-SERIES

TL17/TLHS18



MODEL NO.	A	B	C	D	E	F	G	H
TL17	55"	39"	84"	49"	45"	17"	38"	20"
TLHS18	55"	39"	84"	49"	47"	18"	38"	20"

DESCRIPTION	TL17	TLHS18
Immersion Space	17" x 45" x 20"	18" x 47" x 20"
Overall Dimensions	40" x 56" x 84"	40" x 56" x 84"
Liquid Capacity (gal)	150	150
Platform Dimensions	17" x 45"	18" x 47"
Detailing Pump (GPH)	170	N/A
Operating Voltage	115V/1 Ph	230V or 460V - 3 Ph
Standard Lift Capacity	300	300
Stroke Length	3"	3"
Strokes Per Minute	60-80	60-80
Air Inlet	1/4"	1/4"
Heat	N/A	9 kW Standard
Automatic Lid	Standard	Standard
OPTIONS	TL17	TLHS18
3/4 Hp Agitation Pump	Cast iron - 3,000 GPH	Stainless - 3,000 GPH
Cycle Timer	*	*
Oil Skimmer	*	*
Low Liquid Protection		*
Roller Platform	*	*
Filtration System	*	*

* Available on this model, consult Graymills price list for specs

THE TL17 IS FREEBOARD COMPLIANT



SOLVENT
AND HEATED
AQUEOUS



UNHEATED MILD STEEL UNIT SHOWN (TL17)

TL-SERIES LIFTKLEEN™

Our newest addition to the Liftklean™ line with a wide platform for accessibility to the entire workload and rugged construction for a long life. Included is a flow-thru work brush for detail work. The TL Series has a high load capacity and automatic lid and front panel controls for ease of handling tough jobs.

Special Options

TL17 UNHEATED MODEL FEATURES

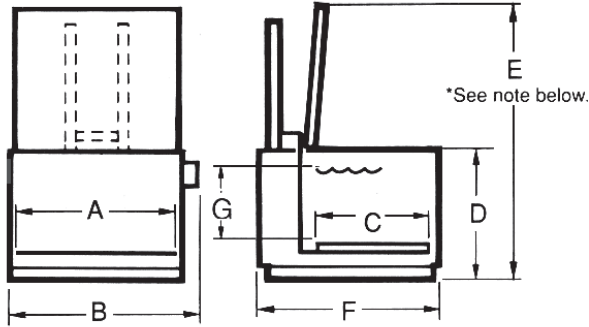
- Mild Steel Construction
- 300 Pound Capacity
- Automatic Lid
- Flow-Through Detail Brush
- GFCI Circuit Protection
- Fusible Link to close lid in event of fire

TLHS18 HEATED MODEL FEATURES

- Wetted stainless steel construction
- 300 Pound Capacity
- Automatic Lid
- Thermostat controlled temperature up to 180F

L-SERIES

L-SERIES



OPTIONAL TOUCH SCREEN INTERFACE



MODEL NO.	A	B	C	D	E	F	G
LKR36	35½"	51"	24"	39½"	76"	45"	20"
LKR48	47½"	64"	36"	39½"	81"	57"	20"
LKR60	59½"	76"	36"	39½"	81"	57"	20"
LKD60	59½"	76"	36"	49½"	96"	57"	30"
LKD72	71½"	88"	42"	49½"	96"	63"	30"
LKD84	83½"	100"	36"	49½"	96"	57"	30"

* Maximum height for Model LKR36 is to top of mast. All other L-Series Liftklean™ use open lid as maximum height.



L-SERIES

DESCRIPTION	LKR36	LKR48	LKR60	LKD60	LKD72	LKD84
Immersion Space	39" x 28" x 20"	52" x 39" x 20"	64" x 39" x 20"	64" x 39" x 30"	76" x 45" x 30"	88" x 39" x 30"
Overall Dimensions	51" x 45" x 76"	64" x 57" x 81"	76" x 66" x 81"	76" x 66" x 96"	88" x 72" x 96"	100" x 66" x 96"
Liquid Capacity (gal)	170	290	355	491	667	670
Platform Dimensions	35½" x 24"	47½" x 36"	59½" x 36"	59½" x 36"	71½" x 42"	84" x 36"
Standard Lift Capacity/PSI	550/100	450/100	700/100	700/100	1750/100	1750/100
Stroke Length	5	5	5	5	5	5
Strokes per Minute	25-40	25-40	25-40	25-40	25-40	25-40
Air Inlet	⅜"	⅜"	⅜"	⅜"	⅜"	⅜"
Drain	2"	2"	2"	2"	2"	2"

OPTIONS	LKR36	LKR48	LKR60	LKD60	LKD72	LKD84
Extra Heavy Duty Lift Capacity (Maximum lbs @ 100 psi)	1000	900	1850	1850	Standard	Standard
Pump Agitation (hp)	1½	1½	1½	1½	1½	1½
Gallons per Hour	10,000	10,000	10,000	10,000	2 Pumps/20,000	2 Pumps/20,000
Voltage Options	230V/460V Hard Wire	230V/460V Hard Wire	230V/460V Hard Wire	230V/460V Hard Wire	230V/460V Hard Wire	230V/460V Hard Wire
Hertz/Phase	60/1 or 3	60/1 or 3	60/1 or 3	60/1 or 3	60/1 or 3	60/1 or 3
Heating System (Electric Heat) (Range 60-180F/16-82C)	9 kW/Hr*	9 kW/Hr*	9 kW/Hr*	14 kW/Hr*	14 kW/Hr*	14 kW/Hr*

PARTS WASHERS:

IMMERSION

ULTRASONIC



2
BENCHTOP
STYLES

ECONOMIC
OR INDUSTRIAL
GRADE
SYSTEMS

BTU

USING ULTRASONIC ENERGY FOR THOROUGH CLEANING

Ultrasonic parts washers work by inducing controlled cavitation in the cleaning fluid. Cavitation bubbles form and collapse suddenly, releasing tremendous energy against the surfaces of objects immersed in the tank. This action “scrubs” hard to remove soils from the parts. Cavitation is determined by the frequency of the unit. Low frequencies generate large cavitation and high frequencies generate smaller cavitation, but in greater numbers.

Graymills offers two series of 40kHz Benchtop Ultrasonic Cleaners. Their small footprints make these units ideal for job site “cell” cleaning application or places where space is critical. All models feature self-enclosed design with stainless steel, corrosion-resistant tanks and lift-off covers. Units operate at standard 120V single phase power. Optional stainless steel parts baskets to prevent loss of small parts are available for all models.

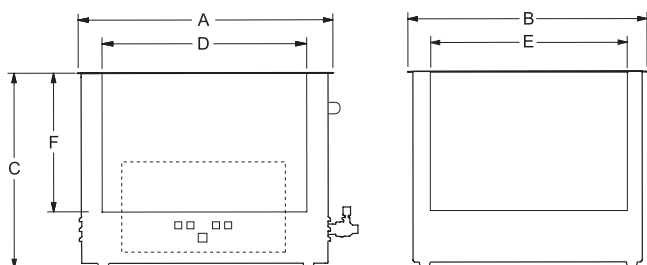


DRAIN
AVAILABLE
ON ALL 4+
GALLON
UNITS

OPTIONAL
STAINLESS
STEEL PARTS
BASKET

BTV

BTV SERIES

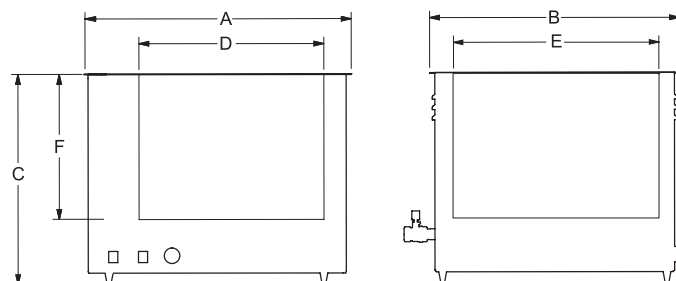


Economic and powerful system

40kHz Ultrasonic
Digital LCD controls
304 stainless steel
Economically priced
Drain valve (BTV-150 & BTV-300 only)

Stainless steel lid
OPTIONAL
Parts baskets

BTU SERIES



Industrial grade system

40kHz Ultrasonic
316 stainless steel
Heavy gauge construction
Long warranty—10 yrs transducer bonding, 2 yrs transducers, 5 yrs sonic generator
Adjustable thermostat

Stainless steel lid
Low liquid level shut-off
Sound dampening insulation
Illuminated controls
1/2" drain fitting
OPTIONAL
Parts baskets

ULTRASONIC COMPARISON

MODEL NO.	A	B	C	D	E	F
BTV-020	7"	6½"	9¼"	5⅞"	5¼"	3⅞"
BTV-032	10½"	6½"	9¼"	9⅜"	5¼"	3⅞"
BTV-065	13"	7"	12"	11⅞"	5⅞"	3⅞"
BTV-150	14"	13"	13"	13"	11⅞"	5⅞"
BTV-300	21"	13"	15½"	19¾"	11⅞"	7⅞"

MODEL NO.	TANK CAPACITY	ULTRASONIC POWER (40KHZ)	HEATER POWER
BTV-020	0.5 gal	140W	50W
BTV-032	0.8 gal	240W	100W
BTV-065	1.7 gal	360W	200W
BTV-150	4.0 gal	720W	200W
BTV-300	7.9 gal	1200W	200W

BASKET MODEL NO.	LENGTH	WIDTH	DEPTH
BTV-BSKT-020	3¾"	3⅞"	3½"*
BTV-BSKT-032	8"	3⅞"	2"
BTV-BSKT-065	9⅞"	3⅞"	3⅝"
BTV-BSKT-150	9½"	9"	5¼"
BTV-BSKT-300	16"	8¾"	5¼"

*No handles or legs

MODEL NO.	A	B	C	D	E	F
BTU-4	18"	16"	16¼"	8"	12"	10"
BTU-7	21"	18"	17¼"	11"	14"	11"
BTU-17	24"	24"	20¼"	14"	20"	14"

MODEL NO.	TANK CAPACITY	ULTRASONIC POWER (40KHZ)	HEATER POWER
BTU-4	4 gal	500W	500W
BTU-7	7 gal	1000W	500W
BTU-17	17 gal	1500W	1,000W

BASKET MODEL NO.	LENGTH	WIDTH	DEPTH
BTU-BSKT-4	7½"	11½"	4"
BTU-BSKT-7	10"	13"	6"
BTU-BSKT-17	13"	19"	6"

SONICMAX CONSOLE



CTU

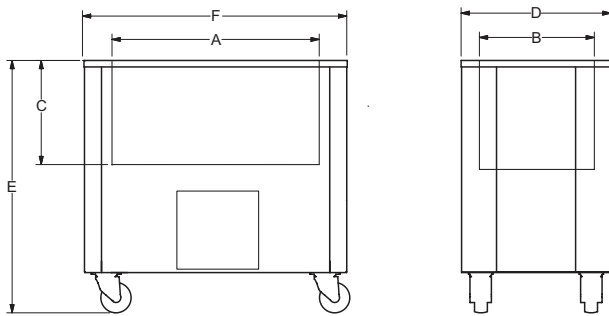
RECIRCULATING PUMP REMOVES INSOLUBLE PARTIALS

OIL SKIMMER INCREASES SOLUTION LIFE

PORTABLE AND ENVIRONMENTALLY FRIENDLY SYSTEM

Graymills SonicMax cleaning consoles use powerful ultrasonics and safe, environmentally-friendly water-based cleaning fluids to thoroughly wash the most stubborn soils from parts and assemblies.

CTU SERIES



Portable and environmentally safe

- 40KHz Ultrasonic (25kHz available)
- High watts per gallon ratio
- Flanged tank lip
- Traps debris
- Filtration package
- Temperature control
- Cycle timer
- Stainless steel lid
- Support cart w/casters
- Stainless steel mesh basket
- OPTIONAL**
- Oil skimmer

MODEL NO.	A	B	C	D	E	F
CTU2012	20"	12"	8"	28"	37"	38"
CTU2814	28"	14"	12"	33"	40"	46"
CTU2825	28"	25"	15"	33"	40"	46"
CTU3516	35"	16"	15"	37"	42"	52"
CTU3523	35"	23"	17"	37"	42"	52"
CTU4718	47"	18"	19"	37"	45"	64"
CTU4723	47"	23"	20"	37"	45"	64"

MODEL NO.	FLUID CAPACITY	ULTRASONIC POWER	HEATER POWER
CTU2012	7 gal	750W	1500W
CTU2814	18 gal	1500W	3000W
CTU2825	42 gal	3000W	6000W
CTU3516	33 gal	2000W	4000W
CTU3523	54 gal	3500W	6000W
CTU4718	65 gal	4000W	6000W
CTU4723	87 gal	5000W	10000W

SONIC LIFTKLEEN™

FOCUSED ULTRASONIC POWER

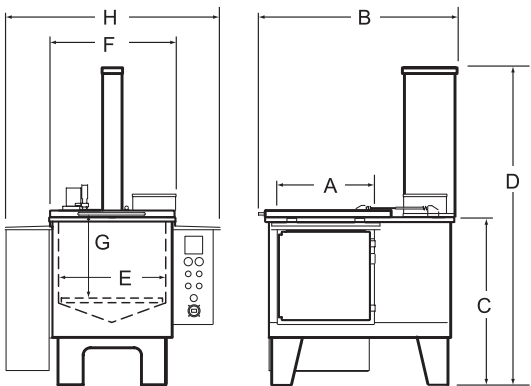
Graymills unique “V-focused” tank design increases ultrasonic cleaning power and speed for intricate parts as well as large industrial pieces.

UNIQUE
“V-SHAPED”
TANK



TUSR24 (Optional roller platform shown)

TUSR24/36



Powerful precision cleaning

Long warranty - 10 years transducer bonding, 2 years transducers, 5 years sonic generators

40kHz Ultrasonic
(25kHz and 68kHz available)

Stainless steel platform

Easy access to load and unload parts

Thermostatically controlled tank heaters

Deep “V-shaped” tank focuses power

Digital cycle timer

Oil skimmer

Corrosion-resistant and designed for longevity

Double walled & insulated; reduces heat loss

Low liquid heater protection included

MODEL NO.	A	B	C	D	E	F	G	H
TUSR24	24"	41½"	34½"	66"	20½"	20½"	12"	40"
TUSR36	34"	53½"	34½"	75"	25½"	29½"	18"	45"

SPECIFICATIONS	TUSR24	TUSR36
Ultrasonic Power (Watts)	4000	6000
Heater Power	6.75 kW	6.75 kW
Voltage	230V, 1 Phase	230V, 1 Phase
Standard Lift Capacity @ PSI	150 lbs @ 90	200 lbs @ 90
Oscillation Stroke Length	3"	3"
Strokes Per Minute	25-40	25-40
Immersion Space	24" x 20" x 12"	34" x 25½" x 18"
Overall Dimensions	39" x 45" x 66"	50" x 50" x 75"
Liquid Capacity	47 gal	118 gal
Platform Dimensions	22" x 19"	25" x 32"
Air Inlet	¼"	¼"
Drain	2"	2"
Automatic Lid	Standard	Standard

SUPERSONIC LIFTKLEEN™



**PLC
CONTROLS
CYCLE, WASH
& SPARGER
SPRAY TIMES**

**24/7
HEATER &
SKIMMER
TIMERS**



TUS3725SL

**6000
WATTS OF
PEAK
POWER**



**TUS3725SL
HAS THREE
ULTRASONIC
GENERATORS**

IMMERSION CLEANING COUPLED WITH POWERFUL ULTRASONICS

The TUS3725SL-model comes equipped with features to achieve ultimate parts cleaning levels. It is built to withstand rugged use in applications like engine rebuilding, performance racing, maintenance and manufacturing, but gentle enough to be used in the most delicate of cleaning applications.

Units available without Ultrasonics under part number TS3725SL-J, which includes all other great features for applications not requiring Ultrasonics. Consult Graymills for details.

Ultimate Performance

Full PLC control for ultrasonics, platform oscillation, soak, sparger, filtration & heater

40 kHz ultrasonic power with built in frequency sweep to virtually eliminate undesirable standing waves

Long warranty - 2 years immersible transducers, 5 years sonic generators

Heavy duty immersible sealed transducers

Pneumatic lift platform up to 300lbs

Automatic open/close lid

Built in weir and surface sparger

Oil skimmer

Constantly filters the cleaning solution

Double walled & insulated stainless steel tank; reduces heat loss

Low Liquid Heater Protection

Also available in 25 kHz or 68 kHz

Easy change-out drain

TUS3725SL/ TS3725SL

HEAVY
DUTY
SEALED
TRANSDUCER



SPARGER
SYSTEM

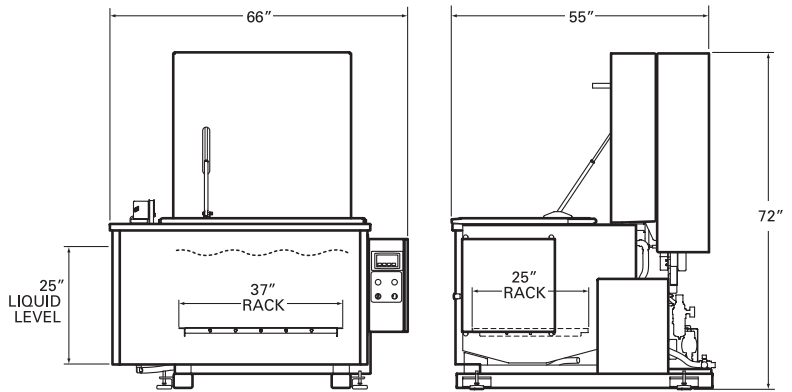


PREVENTS
CONTAMINANTS
FROM
REDEPOSITING

BUILT
IN WEIR
TRAPS OIL
& DEBRIS



OIL
SKIMMER
INCREASES
SOLUTION
LIFE



SPECIFICATIONS	TUS3725SL/TU3725SL
Ultrasonic Space	37" x 25" x 14" (max part size)
Overall Dimensions	55" x 66" x 72"
Liquid Capacity	37" x 25"
Standard Lift Capacity/PSI	300/100
Stroke Length	4"
Strokes Per Minute	25-40
Air Inlet	3/8" NPT
Drain	1 1/2"
Heater Setting Range up to 0-180°F (82°C)	6.75kW/Htr 13.5kW/Htr (optional second heater bank)
Ultrasonic Cleaning Power (TUS3725SL only)	6000W

TEMPEST™

PRESSURE CLEANS PARTS WITHOUT USING GRIT OR ABRASIVES

The **Tempest™ Series** of aqueous cabinet parts washers uses 600 psi of heated high-pressure aqueous cleaning solution power to scrub parts clean—no abrasives to damage precision machined parts.

The ultimate in operator comfort, the **Tempest™ 10/20S** keeps the operator's hands clean and out of cleaning solution. Operator simply slips hands into gloves and presses foot pedal to operate. Adjustable hand-held spray nozzle can be set to a wide fan or pinpoint stream to direct cleaning power where needed.

Fast heat-up, illuminated cabinet and window-clearing blower are standard on both units. Flexible neoprene gloves, safe and convenient air-actuated on/off foot pedal switch, and ergonomic working height maximize user comfort and result in increased efficiency. 110 mesh filter traps chips and solids and continuously filters fluid.

TEMPEST™ 10/10S/20S



Standard features

600 PSI/180 GPH/1 Hp pump

Heated cleaning fluid up to 120°F

Air knife window blowoff

Double-hinged front door allows full access to cleaning chamber

Variable output nozzle

Light fixture for part visibility during cleaning

110 Mesh filtration

Tempest™ 10 features:

10 gal easy-to-change internal pail

Mild (T10) or stainless steel (T10S) spray chamber construction

OPTIONAL

Air blow-off nozzle

Tempest™ 20S features:

Stainless steel spray chamber construction

Stainless steel roll-out reservoir with quick-disconnect fittings

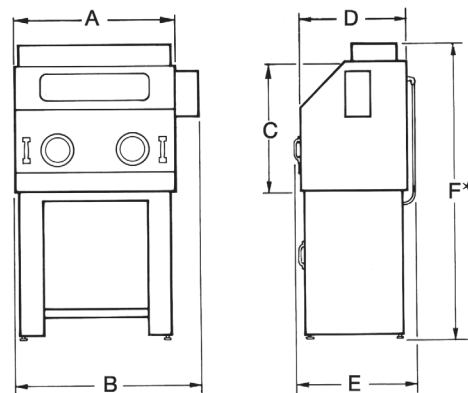
OPTIONAL

Air blow-off nozzle

Oil skimmer

Ball transfer table for manipulating heavy parts

Elevated drain shelf



MODEL NO.	A	B	C	D	E	F
TEMPEST™ 10/10S	36"	41½"	29"	24"	35½"	66"
TEMPEST™ 20S	36"	41½"	29"	40½"	44"	66"

* Height with door open is an additional 7"

SPECIFICATIONS	TEMPEST™ 10/10S	TEMPEST™ 20S
Parts Load (max)	500 lbs	500 lbs
Operating Fluid Capacity	10 gal	20 gal
Spray Pressure (max)	600 psi	600 psi
Motor/Heater-Power	1 HP/1000W 115V, 60Hz, 1 Ph	1 HP/1500W 115V, 60Hz, 1 Ph

TURBOBOOST/OSEP-5S

PARTS WASHERS: **SPRAY CABINET**
PARTS WASHERS: **ACCESSORIES**

HIGH VOLUME FILTRATION & AGITATION

The **Turbo-Boost** System draws contaminated aqueous or non-flammable solvent parts cleaning solution from the tank through a strainer basket that eliminates large particulate. Remaining contaminants are collected in a replaceable, disposable filter bag. Clean, dual-filtered detergent is pumped back to the parts washer through **Turbo-Boost** eductor nozzles. Entire fluid volume is continuously filtered at a rapid rate creating aggressive agitation to the cleaning process.



TBF

FILTRATION DOWN TO 0.5 MICRON

EXTENDS CLEANING SOLUTION LIFE

HIGH EFFICIENCY OIL REMOVAL



OSEP

Turbo Boost Benefits

Continuous filtration with filters available as fine as 0.5 micron

Returns clean, filtered fluid to the tank

Aggressive agitation for increased cleaning action

Eliminates contaminant buildup in corners of tank

Cleaning solution life extended by removal of particulate

OPTIONAL

Service beacon to alert user when filter bag replacement needed.

Standard Oil Coalescer features

Extends cleaning solution life

Oil separation

Continuous oil removal

Returns cleaning fluid virtually oil-free to the parts washer

Draws off oils for reclamation

Stainless Steel construction

Operation without outside power source

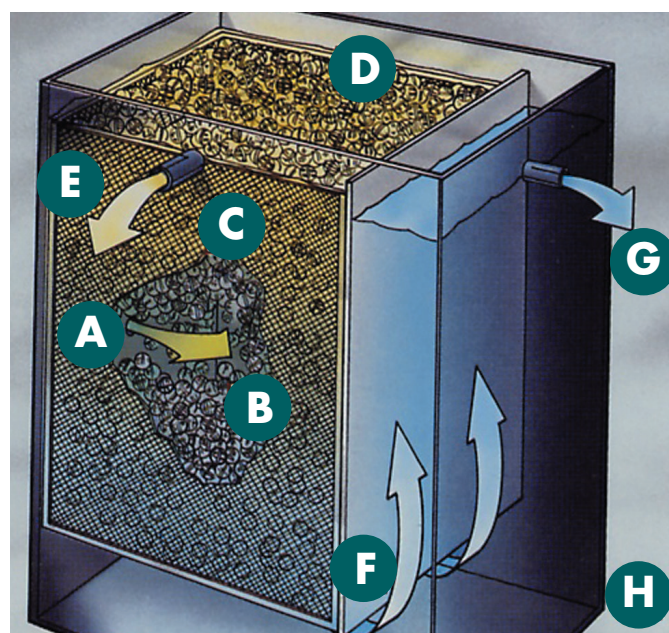
OPTIONAL

Connection kits to various parts washers available (consult factory)

Highly Efficient Oil Removal

- A** Inlet valve controls flow at 5GPM to assure sufficient time
- B** Oily cleaning solution enters larger separator chamber
- C** Oil adheres to polypropylene spheres which are non-wearing and require no replacement
- D** Formed droplets separate and rise to the surface
- E** Oil layer gravity feeds to external container for proper disposal, reuse or reclamation
- F** Separated fluid passes under baffle to second chamber
- G** Virtually oil-free detergent solution flows back to parts cleaner
- H** Bottom drain facilitates clean-out when required

The oil separator is intended for water-based cleaning solutions and will not function with solvent-based cleaning fluids. Systems that do not have a recirculation pump require the separator to be equipped with its own pump. Consult customer service for details at 773-248-6825.



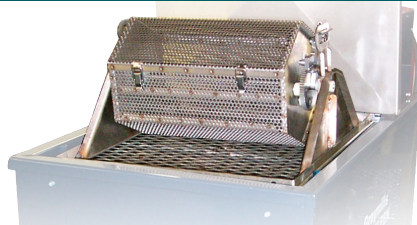
ACCESSORIES

General Purpose Parts Baskets



- L-3** Permits flushing of small parts while keeping them organized. 6"H x 10" diameter
- L-7** Hooks over edge of tank or stands on legs. 8"L x 6"W x 4"H
- L-8** Expanded metal on sides and bottom. 13"L x 12"W x 5"H
- 5B-1** Sized and braked for use with standard five gal pail 18"H x 10" diameter

Roto Basket



Roto-Basket accessory for "T" Series Parts Washers effectively cleans small parts by creating a gentle, tumbling action to expose all surfaces to the cleaning solution. It is a hands-free cleaning process that reduces labor and saves time.

Stainless steel expanded metal drum/basket assembly, rotary mechanism and frame assembly. Attaches to the platform of any Graymills "T" Series Liftkleen™ and holds up to 35 lbs. of parts.

The lift mechanism in the parts washer lowers the basket into the cleaning solution. As the lift platform agitates up and down, the rotating basket turns on a 60° index for every down stroke, thoroughly cleaning the smallest and most fragile parts.

TRB-1 Roto-basket is 26 lbs. and 20½"L x 11"H x 13"W

RB-1 Additional basket is 13 lbs. and 20½"L x 11"H x 13"W

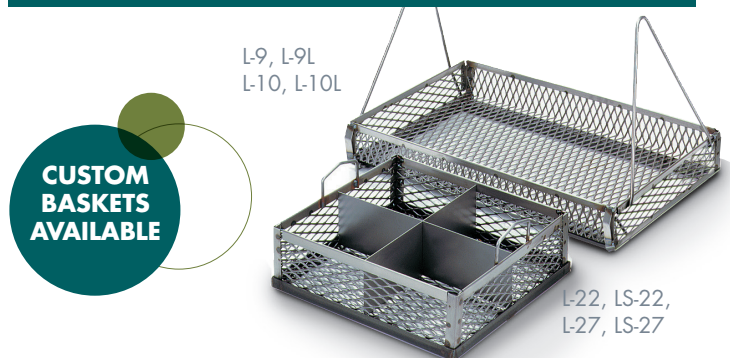
Roto-STA Load/unload station is 18 lbs. and 18½"L x 15"H x 14¾"W

Roto-Basket is 100% mechanically driven

Optional Station makes load/unload easy

System is a drop-in retrofit that only requires a few minutes to install

Clean-O-Matic™ Baskets



- L-9** Clean-O-Matic™ 900 and 902-perforated metal sides and bottom with 15 gauge frame for heavy-duty use; can be supported above liquid level for draining by special pull-out supports, 32" L x 17" W x 5" H
- L-9L** Same as L-9 except with sturdy lifter bar to permit use with chain hoist for heavy-duty work
- L-10** Same as L-9 in larger size for Turbo-Action parts cleaners, 34" L x 21" W x 5" H
- L-10L** Same as L-10 with lifter bar

T-Series Liftkleen™ Baskets

Perforated metal sides, bottom and iron frame. Removable dividers accommodate a variety of parts sizes.

L-22/LS-22 (stainless) 22" L x 18" W x 6" H

L-27/LS-27 (stainless) 31 ¼" L x 23 ¼" W x 6" H

*Actual basket material may differ from photo

L-Series Liftkleen™ Baskets

LKB36/LKBSS36 (stainless) Parts Basket for LKR36
32" L x 19" W x 15" H

LKB48/LKBSS48 (stainless) Parts Basket for LKR48
44" L x 31" W x 15" H

LKB60/LKBSS60 (stainless) Parts Basket for LKR60, LKD60
55" L x 31" W x 15" H

LKB72/LKBSS72 (stainless) Parts Basket for LKD72
67" L x 37" W x 15" H

LKB84/LKBSS84 (stainless) Parts Basket for LKB84
80" L x 32" W x 15" H

AL-2 Work Light

Constructed with 360° rotation and a 28" gooseneck to allow for additional lighting of entire work area. Solid support so light cannot be pulled down to obstruct cover closing in case of fire. For HK-150, all Handi-Kleens™, and all Clean-O-Matics™. Mounts to back or side of tank and does not come with a plug. Designed to be hard-wired to the machine.



Work Shelves



Shelves shown here are supplied as standard with the purchase of one of the listed parts cleaners. Ideal for additional work space or replacement of worn shelves.

- L-4** Identical to L-5 but sized for use with Clean-O-Matic™ Model 800
- L-4S** Identical to L5S but sized for use with Clean-O-Matic™ Model 800
- L-5** Perforated metal Flo-Thru shelf constructed with solid metal frame; for use with Clean-O-Matic™ Models 300 and 500
- L-5S** 16 gauge steel shelf for use with Clean-O-Matic™ Models 300 and 500

*Actual shelf material may differ from photo

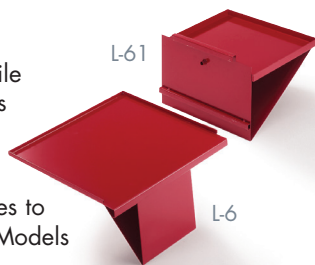
Sludge Trays

Removable soak trays keep soaking parts off the bottom of the tank yet capture any sludge to make removal easier.

- 432-36376** For use with 300 and 500 Series (2 required) or 800 Series (3 required)
- 432-36664** For use with 900 Series (2 required)

Drain Shelves

Accessory shelves designed to provide a working platform that allows cleaned parts to drain while directing run-off into tank. Shelves mount externally to maintain critical workspace.



- L-6** 16 gauge steel shelf attaches to side of all Clean-O-Matic™ Models 16"L x 18"W
- L-61** 16 gauge steel shelf mounts to side of 2R, H42RN, HK150, PL36, PL36FB and PL422 models. 15"L x 18"W

Brushes



- 3B-G** Standard brush with 2 1/2" polypropylene bristles
- 5D** Double brush, with 1 1/2" and 2 1/2" nylon bristles
- 6A** Flow-Thru brush flushes part as it cleans. Solvent flows through core of handle; 2" Connecting hose, 2 1/2" nylon bristles, and a rubber connector that slips over nozzle of flexible metal hose of parts cleaner
- 7-A** Flat Angular Flow-Thru cleaning brush (polyester bristles) can attach to pump nozzle with rubber hose (included)
- 8-A** Round Angular handle cleaning brush (polyester bristles) can attach to pump nozzle with rubber hose (included)

Filters

Filtration systems are available for all Liftklean™ Models. Filters for T-series models available in 10, 50 and 100 micron. For L-series models in 150 and 590 micron. See GM price list.

For Use With TR & TL Series Liftkleens™

- C-31626** Mild Steel
- C-31626-41** Brass
- C-31626-88** Stainless Steel

For Use With All L-Series and Liftkleens™ T and GHS Soak Tank Models

- LKF/LKFT100** – Single Canister System
- LKF/LKFT200** – Dual Canister System



Replacement Filter Bags

Replacement filter bags for Drum Mount Parts Cleaners.

- C-27360** washable nylon mesh filter bag extends solvent life, 12 per package



Drum Liners

Poly bag liners simplify cleanup and disposal of solid waste. Available in dozens.

- C-27452** Fits 16 gallon drums
- C-27484** Fits 30 gallon drums
- C-27835** Fits Tempest™ 10



CLEANING FLUIDS

Graymills fluids are specially formulated to provide optimum cleaning in our parts washers. They are intended to be used for a variety of cleaning needs, and specific formulations are available for cleaning ferrous and non-ferrous metals, rubber and elastomers, parts to be painted, and for removal of many varieties of grease, motor oil, cutting fluids, carbon deposits, inks and gummy residues.

General Purpose Solvents



Super Agitene™

M5005 (5gal), M8400 (50gal)

Ideal for cleaning of metal, plastics and painted surfaces. Grease, motor oil, cutting oil and water soluble oils are removed with ease. Gummy deposits unaffected by ordinary mineral spirits are readily softened or removed. Contains Hand Ease® a cosmetic-grade lanolin formulation, which replenishes some of the skin's natural oils removed by solvents. It helps to reduce the chance of irritation and chapping, leaves a protective coating on parts to help retard corrosion, and is a low-odor solvent with a 105° F flashpoint (40°C). It should not be used on parts going into a plating or painting process. (See regular Agitene.™) Available in 5 gallon pails and 50 gallon drums.

Regular Agitene™

M2062 (5gal), M1700 (50gal)

Same high quality cleaning action and flash point as Super Agitene,™ but leaves no film, thus making it ideal for cleaning parts to be painted. It will not attack varnish, allowing it to be used on varnish-insulated electrical components. Available in 5 gallon pails and 50 gallon drums.

Super Agitene™ 141

M5005-141 (5gal), M8400-141 (50gal)

Regular Agitene™ 141

M2062-141 (5gal), M1700-141 (50gal)

No ingredients listed as hazardous by the EPA's RCRA

Meets OTC VOC regulations

Has the same attributes as low-flash counterparts but a higher flash point of 141° F (60° C), which meets local regulations where use of High Flash Point Solvent is required. Available in 5 gallon pails and 50 gallon drums.

Solvent Filtration



Solvent Saver Filters

Extend the life of solvent cleaning solutions by filtering out the oil and grease that accumulates in the solvent cleaning solution.

Fits all

Easy installation universal adapter

Replace "as-needed"

Maintains cleaning solution

Solvent Saver I

Oil and Grease Removal (Packed two/carton)

SS-11 7" diameter x 11" long—includes one connecting hose

SS-18 7" diameter x 18" long—includes one connecting hose

Solvent Saver II

Oil and Grease Plus Particulate Removal (Packed two/carton)

In addition to special absorbent materials, it contains a 5 micron filter cartridge that filters particulate from the solvent prior to oil and grease absorbing stage.

SSC-11 7" diameter x 11" long—includes one connecting hose

SSC-18 7" diameter x 18" long—includes one connecting hose

For Solvent Saver I and II

Solvent Saver Hanging Bracket—Stainless Steel bracket holds filter out of way on inside of parts washer.

SS-BRAC 12" long x 9" deep X 8" high

Biodegradable Alkaline Aqueous Cleaners

Graymills versatile line of aqueous cleaners can be used for removing virtually any organic or inorganic soil, including greases, oils, soft carbons, epoxies, hard water residue, corrosion, oxides, paints, plating salts, rust and smut. Aquatene water-based cleaners work most effectively when heated and require only a water rinse.

Aquatene 330

GM330C5 (5gal), GM330C55 (55gal)

A general purpose concentrated detergent in liquid form. Works best when heated up to 180° F (82° C). Ideal for use in free-standing manual systems and immersion type part washers. Removes soft carbon deposits, light coatings, grease, gummy residue, oils, latex paint, light varnishes, rust preventatives. A five gallon pail makes 25-50 gallons; a 55 gallon drum makes 275-500 gallons, depending on concentration.

Super Aquatene 360

GM360C5 (5gal), GM360C55 (55gal)

A general purpose concentrated cleaner in liquid form can be used up to 180° F (82° C) for faster cleaning. Ideal for use in free-standing manual systems and immersion type part washers. Removes all items listed for GM 330 but also effectively cuts buffing and lapping compounds, hard to remove coatings, water-based inks, oxidized oils and heavy or burned-on varnishes. A five gallon pail makes 25-50 gallons of cleaner; a 55 gallon drum makes 275-500 gallons of cleaner, depending on concentration.

Super Aquatene 390

GM390C5 (5gal), GM390C55 (55gal)

A heavy-duty, low-foam concentrate perfect for use in spray cabinet washers. Ideal for steel, cast iron, and other ferrous metals (not for use on non-ferrous metals). Removes most greases, light oils, water soluble inks, hardened composites and loose metal chips. Contains a rust inhibitor. A five gallon pail makes 30-40 gallons, a 55-gallon drum makes 300-450 gallons, depending on concentration. Use heated to 180° F (82° C).

Aquatene 571

GM571-25 (25lbs), GM571-100 (100lbs)

Low-foam, multi-metal safe, alkaline powdered detergent engineered to produce superior cleaning results. GM571 performs best in aqueous industrial parts washers from high-pressure spray cabinets (Tempest) to immersion type tanks. Not intended for ultrasonic use. The powdered compound mixes @ 3 to 8 ounces per gallon of water. Available in 25 lb cartons or twin 50 lb. cartons. Use heated to 180° F (82° C).



Biotene, Super Biotene, and Turbo Biotene

Ph neutral, aqueous based solutions blended with specific emulsifiers and surfactants for use with our Bioremediation parts washers to help the microbial process work faster and more effectively while still delivering excellent cleaning performance.

Super Biotene 550, Super Biotene 660 GM550-QT (1qt), GM550-1 (1gal) Concentrate GM660-5 (5gal) Pre-mixed

A general purpose cleaner that provides a high level of cleaning ability to address a wider range of applications, Concentrates mix with regular tap water at a ratio of 19:1, our pre-blended formulas are ready to use right from the pail. USDA and SCAQMD approvals.

Turbo Biotene 880

GM880-5 (5gal), GM880-55 (55gal) Concentrate

Our most aggressive formulation capable of cleaning and remediating the toughest jobs with the added benefit of a mild rust preventive. This concentrate mixes with regular tap water at a ratio of 7:1. Green Seal and NSF Certified.

BIOFL1 Microbial impregnated cartridge filter

BIO-POUCH Blister pack of two microbial pouches

Aqueous Solution Treatment System

System enables users to treat water-based aqueous solutions for sewer disposal.

OAP25-4 Oil absorbent pads pick up floating oil. 19" by 15" oil pads absorb up to 25 times their own weight in oil. 4 packages of 25 (100 total)

DN10-4 Neutralizer powder

To treat used solution to meet Federal and local disposal regulations. Neutralizer powder changes color of solution when sufficient powder has been added. Four 7lb containers.

DDK Detergent Neutralizer System

25 pads and one 7lb container of powder in a kit.

Filter out any remaining solids prior to disposal.

NOTE: For first-time use, laboratory-analyzed sample of neutralized solution should be submitted to your local authority to assure that your processed fluid waste meets their standards.



CLEANING FLUID REFERENCE CHART

CLEANING PROBLEM	SUPER AGITENE™	REGULAR AGITENE™	AQUATENE 330	SUPER AQUATENE 360	SUPER AQUATENE 390	AQUATENE 571	BIOTENES®
Buffing and Lapping	●	●		●	●		
Carbon Deposits, soft			●	●	●	●	●
Coatings, light	●	●	●	●	●	●	●
Grease	●	●	●	●	●	●	●
Gummy Residues	●	●	●	●	●	●	●
Inks, water based				●			
Oils	●	●	●	●	●	●	●
Paint, latex				●	●	●	●
Paint, oil based	●	●			●		
Rust Preservatives	●	●	●	●	●	●	●
Varnishes, light	●	●	●	●	●	●	●
Varnishes, heavy				●	●	●	
Varnishes, burned-on				●	●	●	
Waxes			●	●	●	●	●
FOR USE IN	SUPER AGITENE™	REGULAR AGITENE™	AQUATENE 330	SUPER AQUATENE 360	SUPER AQUATENE 390	AQUATENE 571	BIOTENES®
Clean-O-Matic™	●	●					
Hani-Kleen™ (cold)	●	●					
PH922 (hot)			●	●		●	
Turbo Parts Cleaner (cold)	●	●					
Turbo Parts Cleaner (hot)			●	●	●	●	●
Lifkleen™ (cold)	●	●					
Lifkleen™ (hot)			●	●	●	●	●
Spray Washing Cabinet					●	●	
Tempest™					●	●	
Drum Mount (cold)	●	●					
Ultrasonic			●	●	●		●
BIO922							●



2601 S 25th Ave | Broadview, IL 60155
888-472-9645 | Graymills.com